



# Spares manual

---

**C3000**

90001718

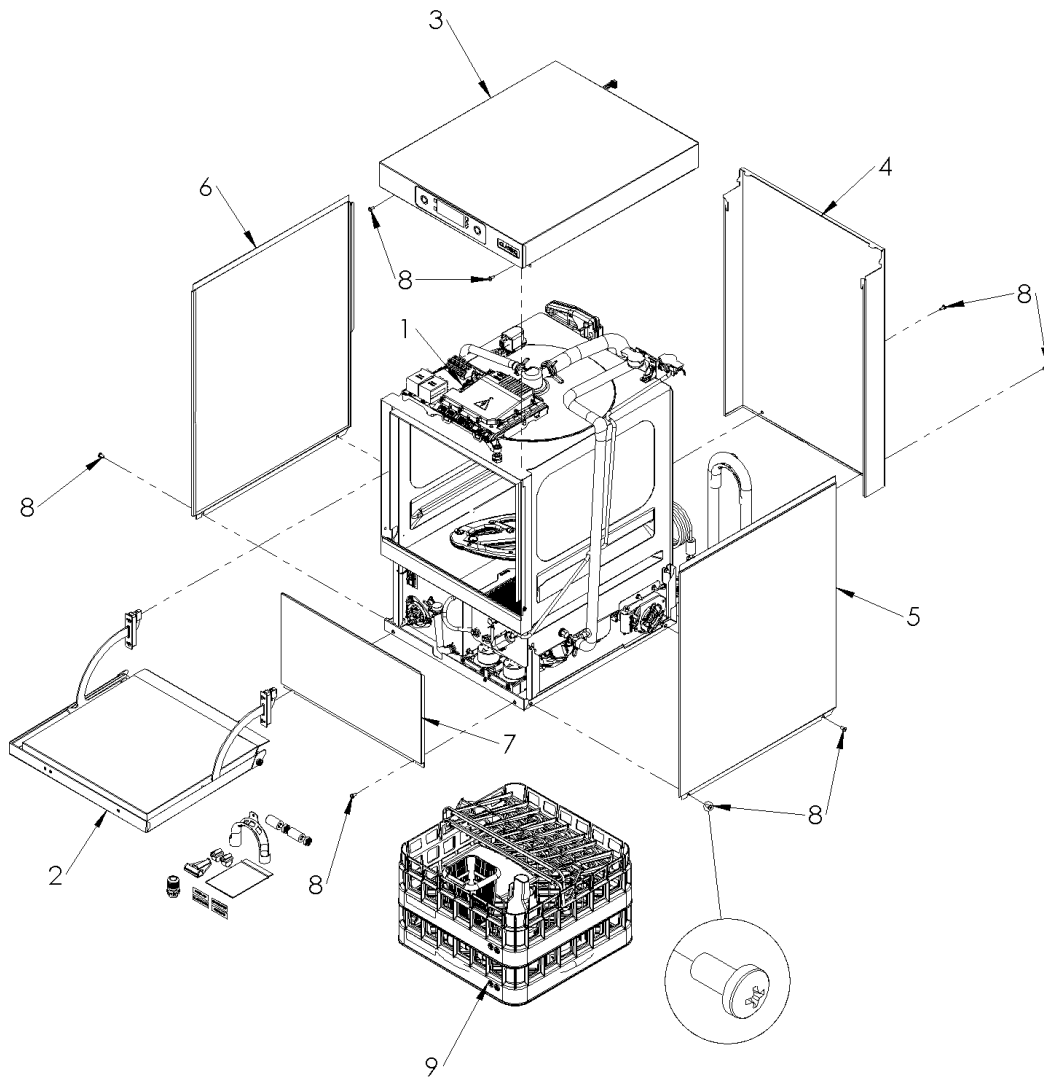
Revision: B



## Table of contents for C3000

<b>C3000</b> .....	<b>1</b>
<b>1. Machine assembly</b> .....	<b>4</b>
<b>2. Top panel assembly (30018807)</b> .....	<b>6</b>
<b>3. Door Parts Assembly</b> .....	<b>8</b>
<b>4. Frame Assembly</b> .....	<b>10</b>
<b>5. Cabinet Parts Assembly</b> .....	<b>12</b>
<b>6. Filtration</b> .....	<b>14</b>
<b>7. Fill System</b> .....	<b>16</b>
<b>8. Boiler Assembly (30018802)</b> .....	<b>18</b>
<b>9. Wash Rinse &amp; Drain System</b> .....	<b>20</b>
<b>10. Minisump Assembly – 60Hz</b> .....	<b>22</b>
<b>11. Base assembly</b> .....	<b>24</b>
<b>12. Rinse Aid pump assembly (30018088)</b> .....	<b>26</b>
<b>13. Detergent pump assembly (30018087)</b> .....	<b>28</b>
<b>14. Control Assembly</b> .....	<b>30</b>
<b>15. UC Accessories</b> .....	<b>32</b>
<b>16. Mains cable</b> .....	<b>34</b>
<b>17. Fasteners Kit (30018806)</b> .....	<b>34</b>
<b>18. 50hz Variant</b> .....	<b>34</b>

# 1. Machine assembly

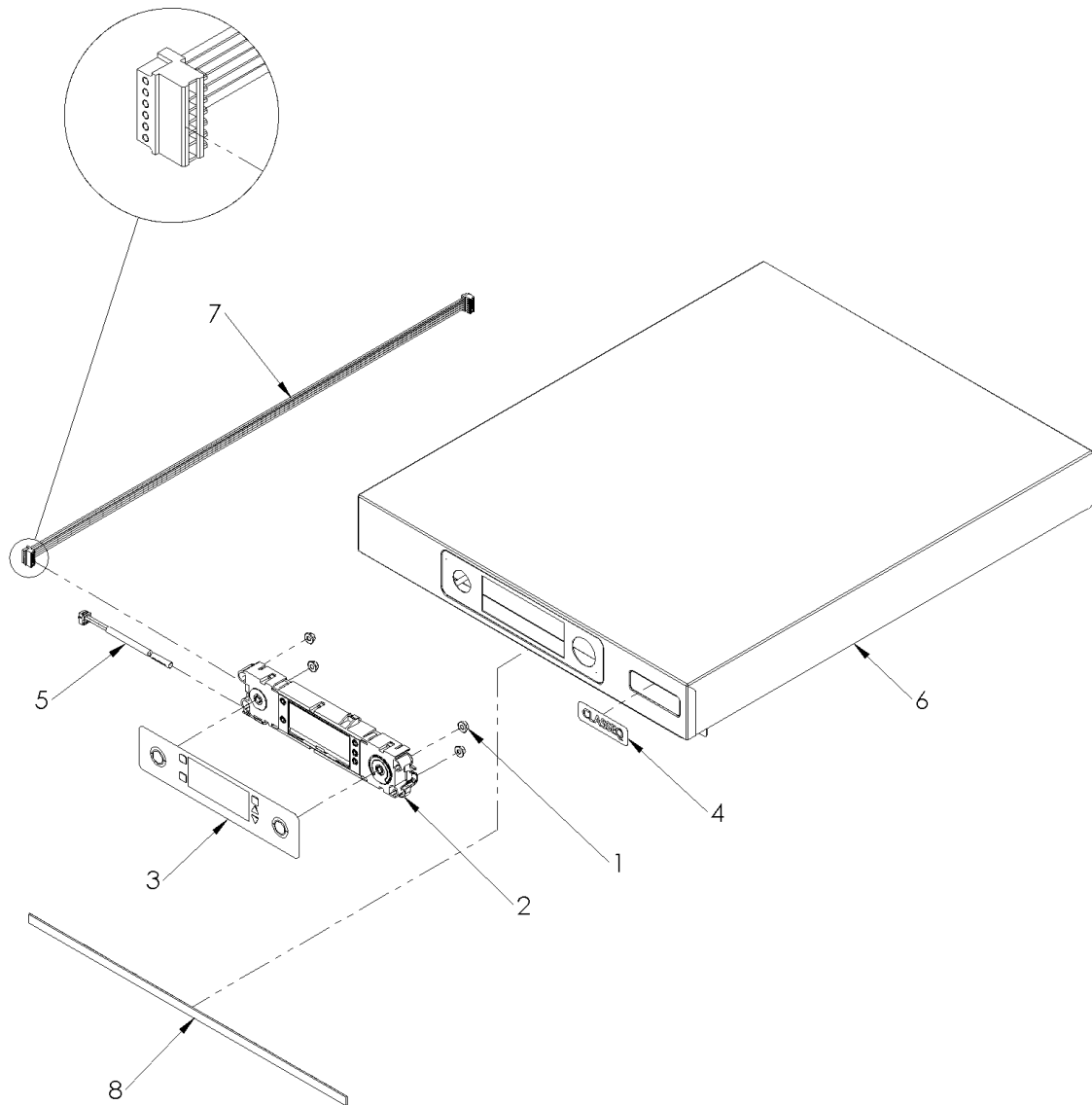


90001662-A

## 1. Machine assembly - BOM

Item	Description	Part number	QTY.	Note
1	Frame Assembly STD 400mm		1	Available with Fastener Kit
2	Door Parts Assembly		1	Further Part breakdown of assembly available in Manual
3	400mm Top panel Assembly Spares	30018807	1	
4	Rear Panel 400mm	30018051	1	
5	Side Panel Right 400mm	30018052	1	
6	Side Panel Left 400mm	30018053	1	
7	Front Panel 400mm	30018054	1	
8	Side Panel Left 500mm	30018063	10	
9	UC Accessories		1	Further Part breakdown of assembly available in Manual

## 2. Top panel assembly (30018807)

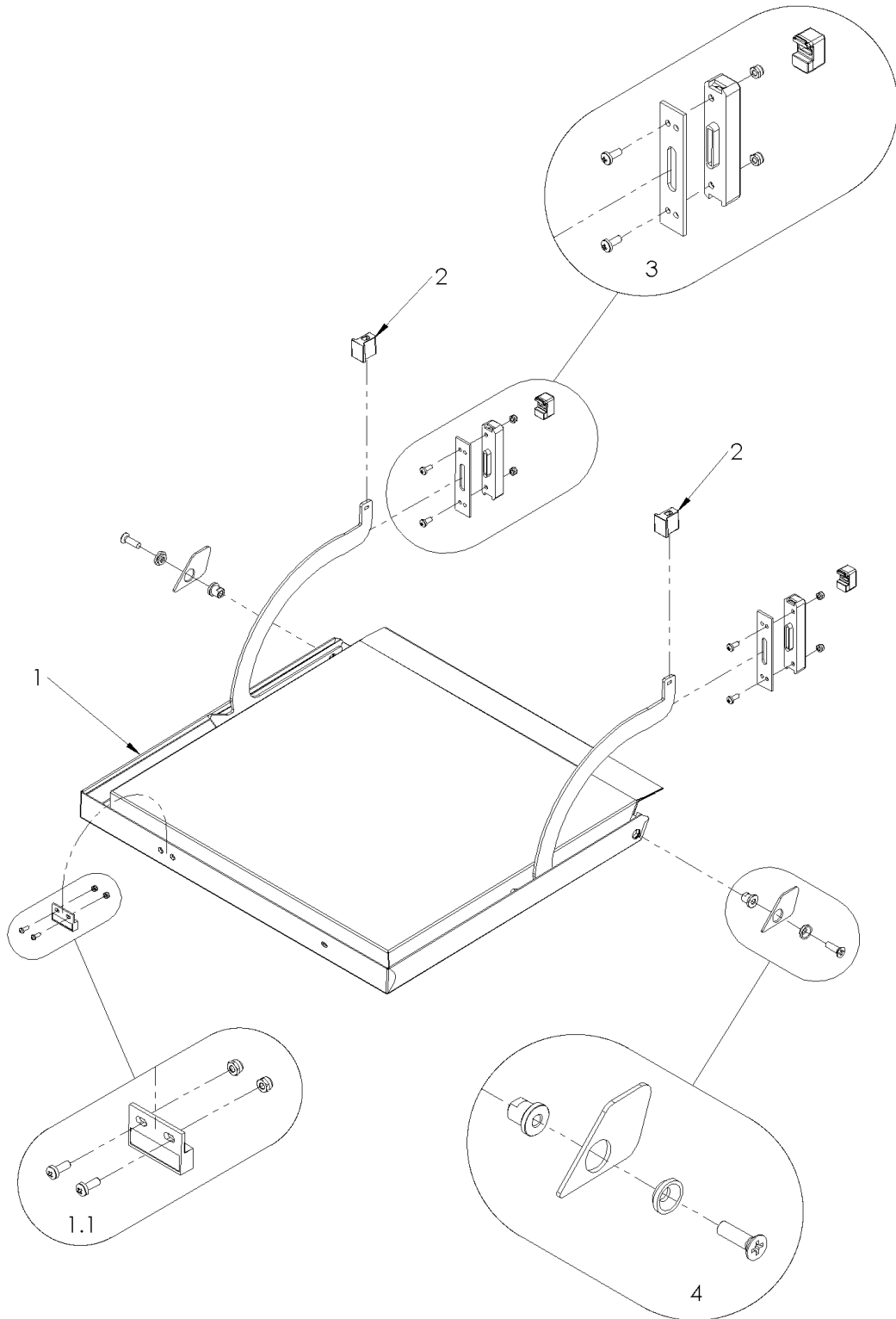


30018807-A

## 2. Top Panel assembly – BOM

Item	Description	Part number	QTY.	Note
1	M5 Flange nut (DIN 6923)		4	Available with Fastener Kit
2	Display Unit (Programmed)	30018917	1	
3	Fascia	30018124	1	
4	CLASSEQ badge	30018290	1	
5	Door switch	30018123	1	
6	Top Panel 400mm		1	
7	UI Harness	30017998	1	
8	400mm Foam seal	30011635	1	

### 3. Door Parts Assembly



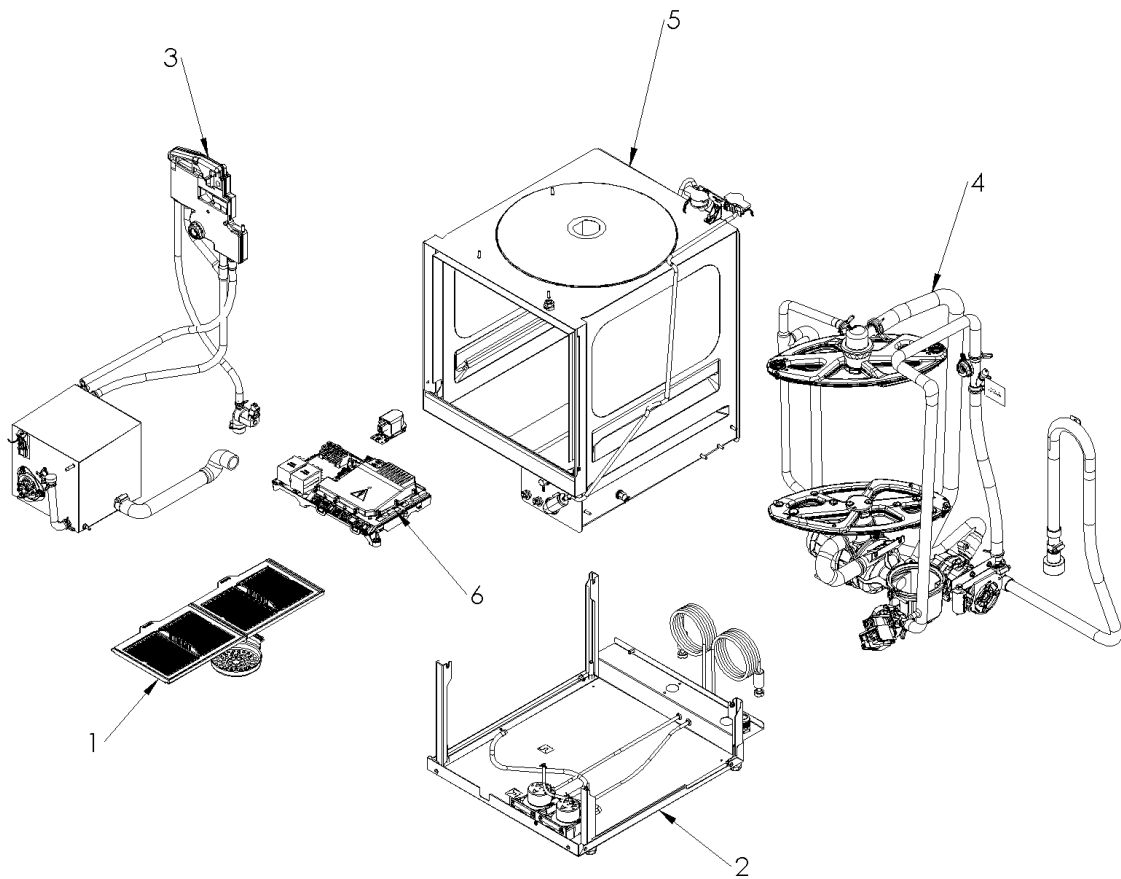
90001651-B



### 3. Door Parts Assembly – BOM

Item	Description	Part number	QTY.	Note
1	400mm Door Assembly Spares	30018808	1	
1.1	Sales Kit - Magnet	30019012	1	Includes fixings
2	Door Hinge cap	30018098	2	
3	Sales Kit - Hinge Guide	30018801	2	Includes fixings
4	Sales Kit - Hinge Pivot with boss	30019013	2	Includes fixings

## 4. Frame Assembly

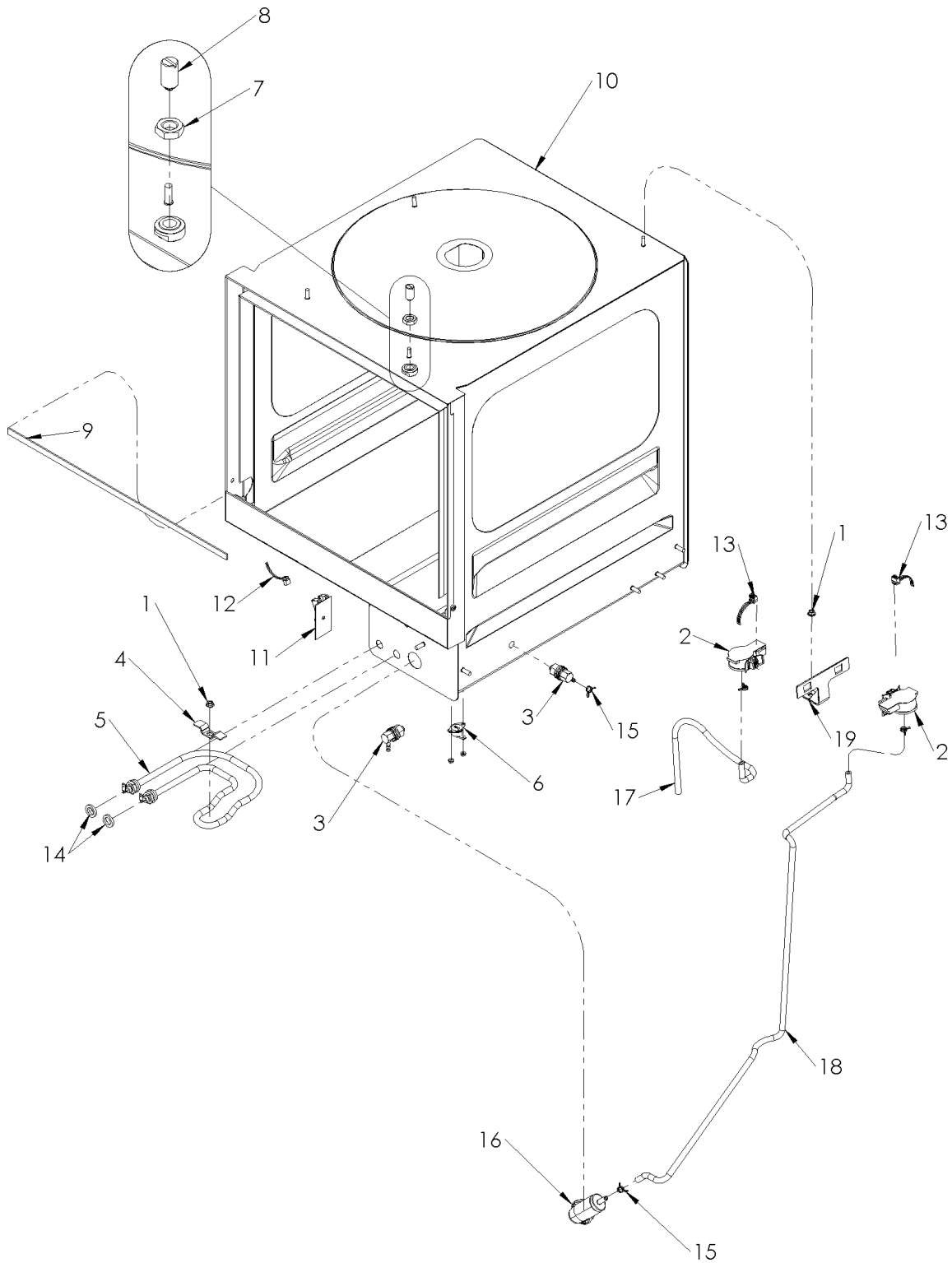


90001661-A

#### 4. Frame Assembly – BOM

Item	Description	Part number	QTY.	Note
1	Filteration 400mm		1	Further Part breakdown of assembly available in Manual
2	Base Assembly 400mm		1	Further Part breakdown of assembly available in Manual
3	Fill System STD 400mm		1	Available with Fastener Kit
4	Wash Rinse & Drain System 400mm		1	Further Part breakdown of assembly available in Manual
5	Cabinet Assembly STD 400mm		1	Available with Fastener Kit
6	Control Assembly		1	Further Part breakdown of assembly available in Manual

## 5. Cabinet Parts Assembly

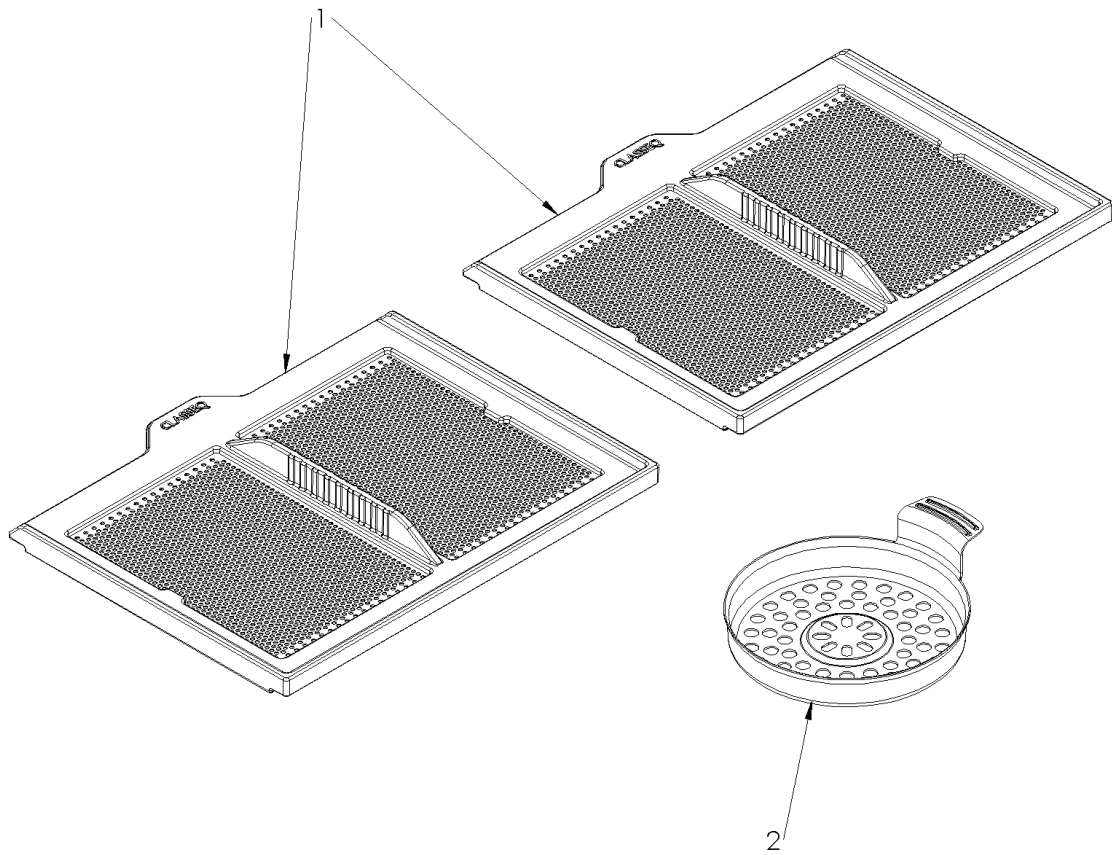


90001660-B

## 5. Cabinet Parts Assembly – BOM

Item	Description	Part number	QTY.	Note
1	M5 Flange nut (DIN 6923)		1	Available with Fastener Kit
2	Sales Kit - Pressure Sensor	30019017	1	Includes fixings
3	Detergent inlet fitting	30011822	2	
4	Wash Element Retaining Bracket	30006126	2	
5	Wash Element 2kW	30018105	1	Includes 2x Washers & 2x M12 fine thread thin nut
6	Sales Kit - 85°C thermal cut-out	30019016	1	Includes fixings
7	M12 Thin nut	30001070	1	
8	Ball catch - M12	30001064	1	
9	400mm Foam seal	30011635	1	
10	Cabinet STD 400mm		1	Not available as a spare
11	Sales Kit - Thermo sensor	30002179	1	
12	KIT MACRO-MODULE PLUG SIZE 2,5 2-POLE	30000197	1	
13	KIT MACRO-MODULE PLUG SIZE 2,5 3-POLE	30000198	1	
14	Wash element fibre washer 19mmx3mm	30014272	2	
15	Spring Clip - Ø7.8mm to Ø8.3mm	30001083	2	
16	Kit air pressure chamber	60003525	5	
17	Hose - APS Rinse - 500mm	30018180	1	
18	Wash APS Tube - 400 / 500	30014330	1	
19	Air Pressure Sensor - Plastic Mount	60004493	1	

## 6. Filtration

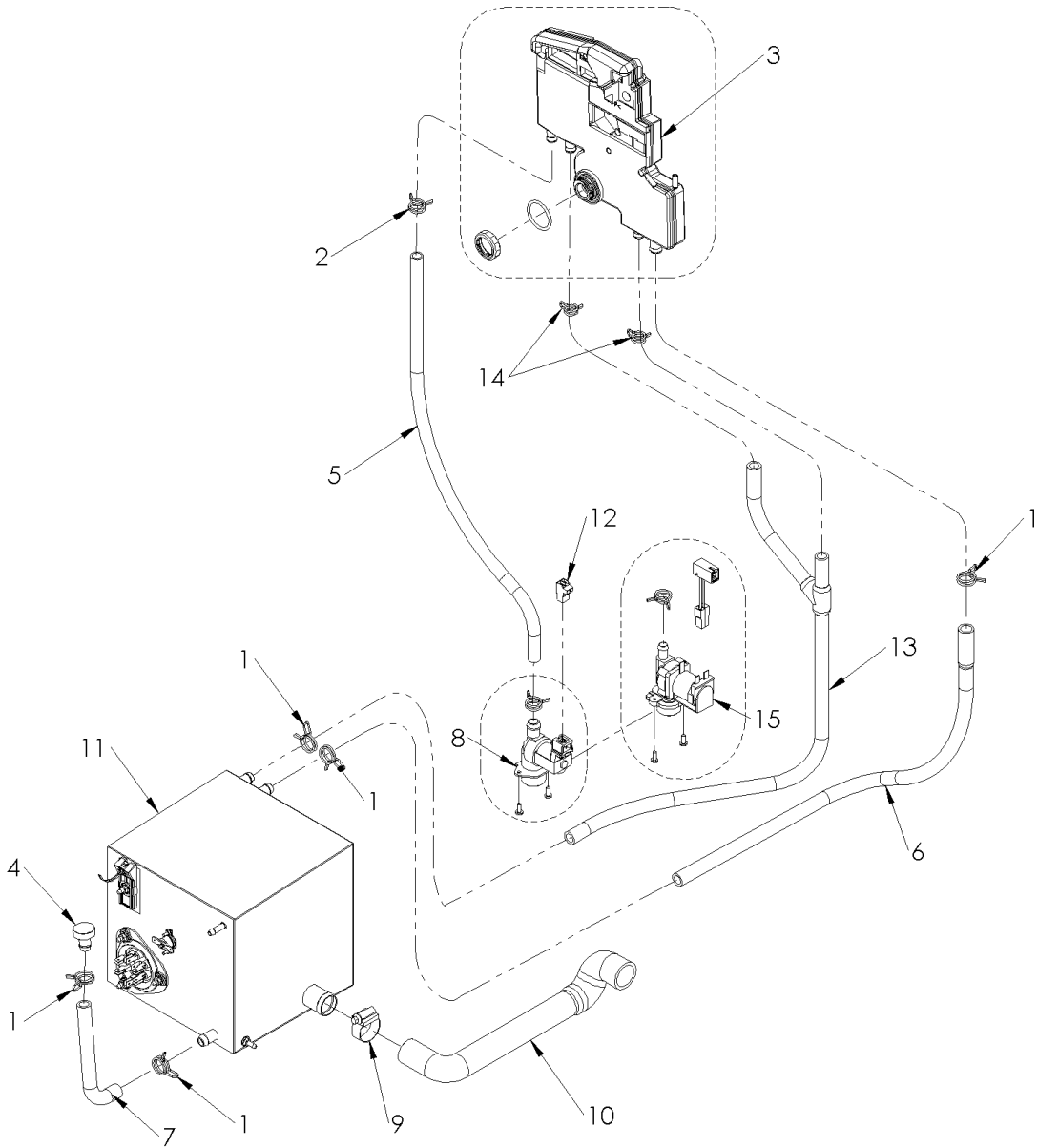


90001658-A

## 6. Filtration - BOM

Item	Description	Part number	QTY.	Note
1	Primary Filter 400mm	30017902	2	
2	Secondary Filter Stainless steel	30017864	1	

## 7. Fill System



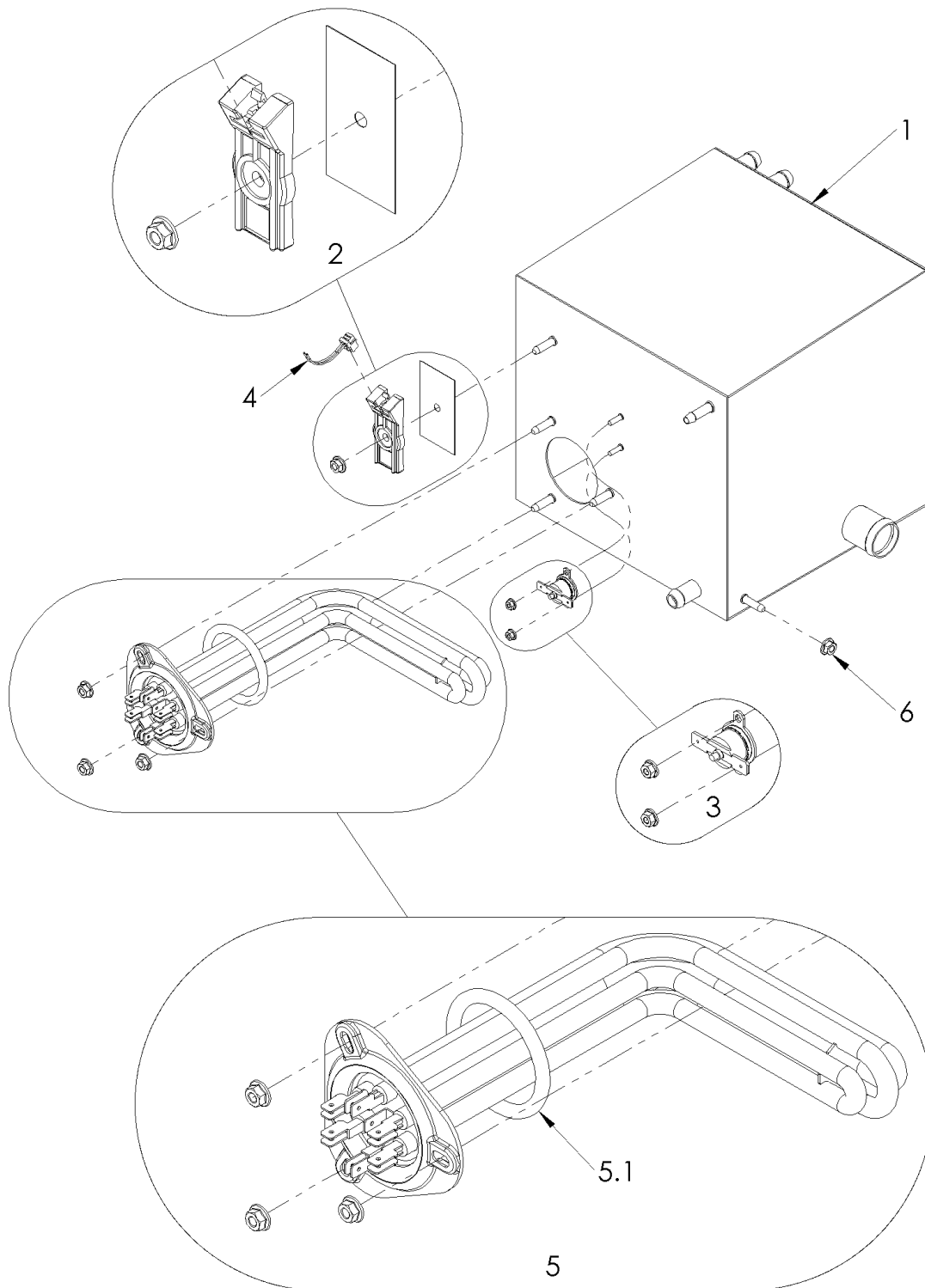
90001659-B



## 7. Fill System – BOM

Item	Description	Part number	QTY.	Note
1	Spring clip - Ø17.3mmx1.8	2802353	5	
2	Spring clip - Ø14.8mm X1.8	2802344	1	
3	Sales Kit - Air Break [WS]	30019025	1	Includes seal and nut
4	Tube plug	70007962	1	
5	Solenoid to air gap hose	30011747	1	
6	Hose Breather 400mm	30017970	1	
7	Hose - Boiler Drain - 400mm	30017967	1	
8	Sales Kit - Solenoid Valve [4 Ltr /min]	30019018	1	Includes fixings
9	J Clip (20-32) W2-12mm with Posi Drive	30018878	1	
10	Rinse Inlet Hose 400mm	30017982	1	
11	Boiler Assembly Spares	30018802	1	Further Part breakdown of assembly available in Manual
12	MACRO-MODULE PLUG5, 5-POLE	3112091	1	
13	Hose - Boiler fill STD - 400mm	30017974	1	
14	Spring clip - Ø12.8mm to Ø15mm	30006121	2	
15	Sales Kit - Solenoid Valve [4 Ltr /min] AU / NZ	30019026	1	For Australia / New Zealand

## 8. Boiler Assembly (30018802)

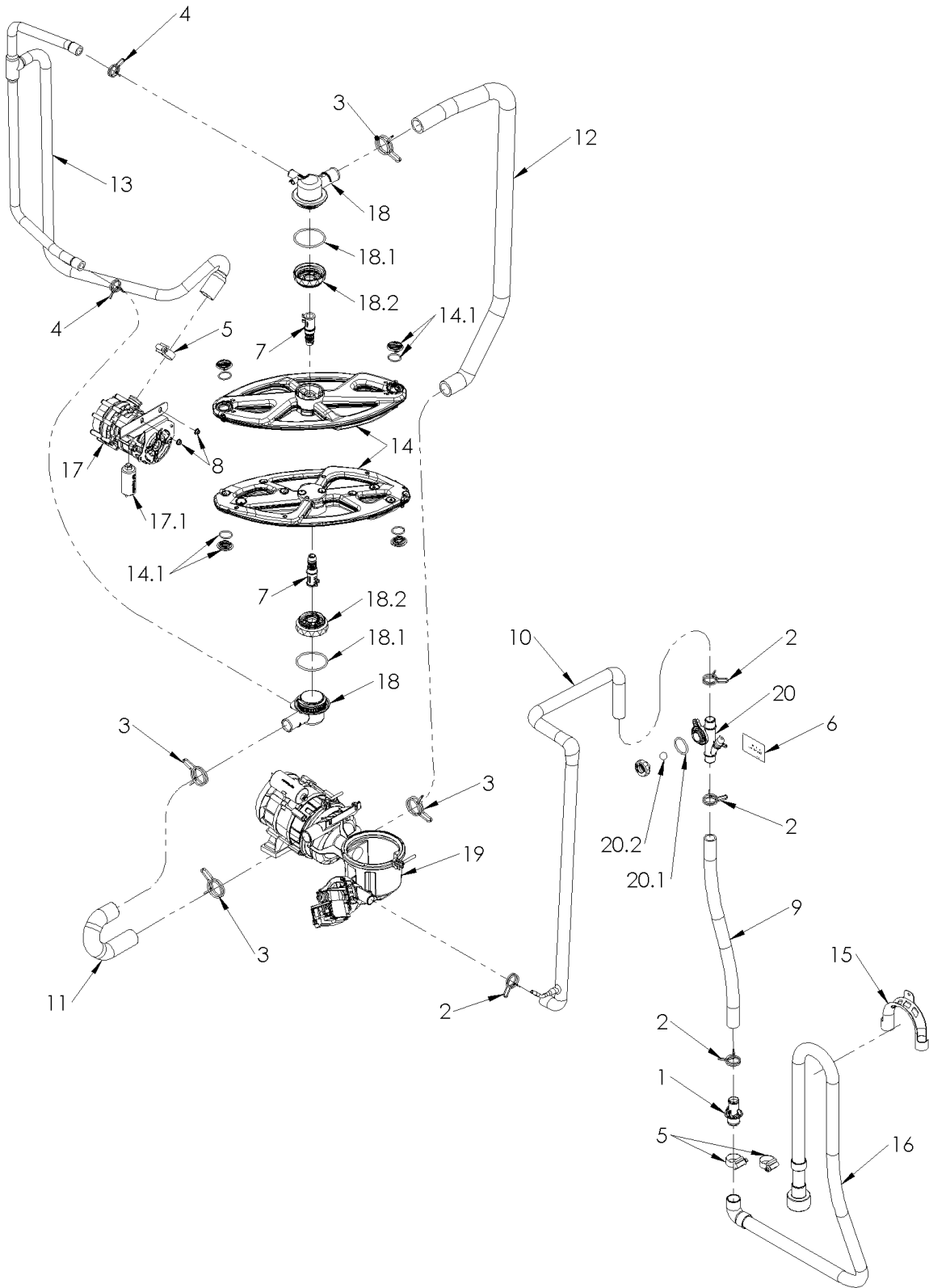


30018802-B

## 8. Boiler Assembly – BOM

Item	Description	Part number	QTY.	Note
1	Rinse Boiler - 6.5Ltr		1	Not available as a spare
2	Sales Kit - Thermo sensor	30002179	1	
3	Sales Kit - 95°C thermal cut-out	30019020	1	Includes fixings
4	KIT MACRO-MODULE PLUG SIZE 2,5 2-POLE	30000197	1	
5	Sales Kit - 6kW Heating Element	30019021	1	Includes fixings & seal
5.1	O-Ring - Ø46 x Ø6	30000947	1	
6	M5 Flange nut (DIN 6923)	30001186	1	Available with Fastener Kit

## 9. Wash Rinse & Drain System

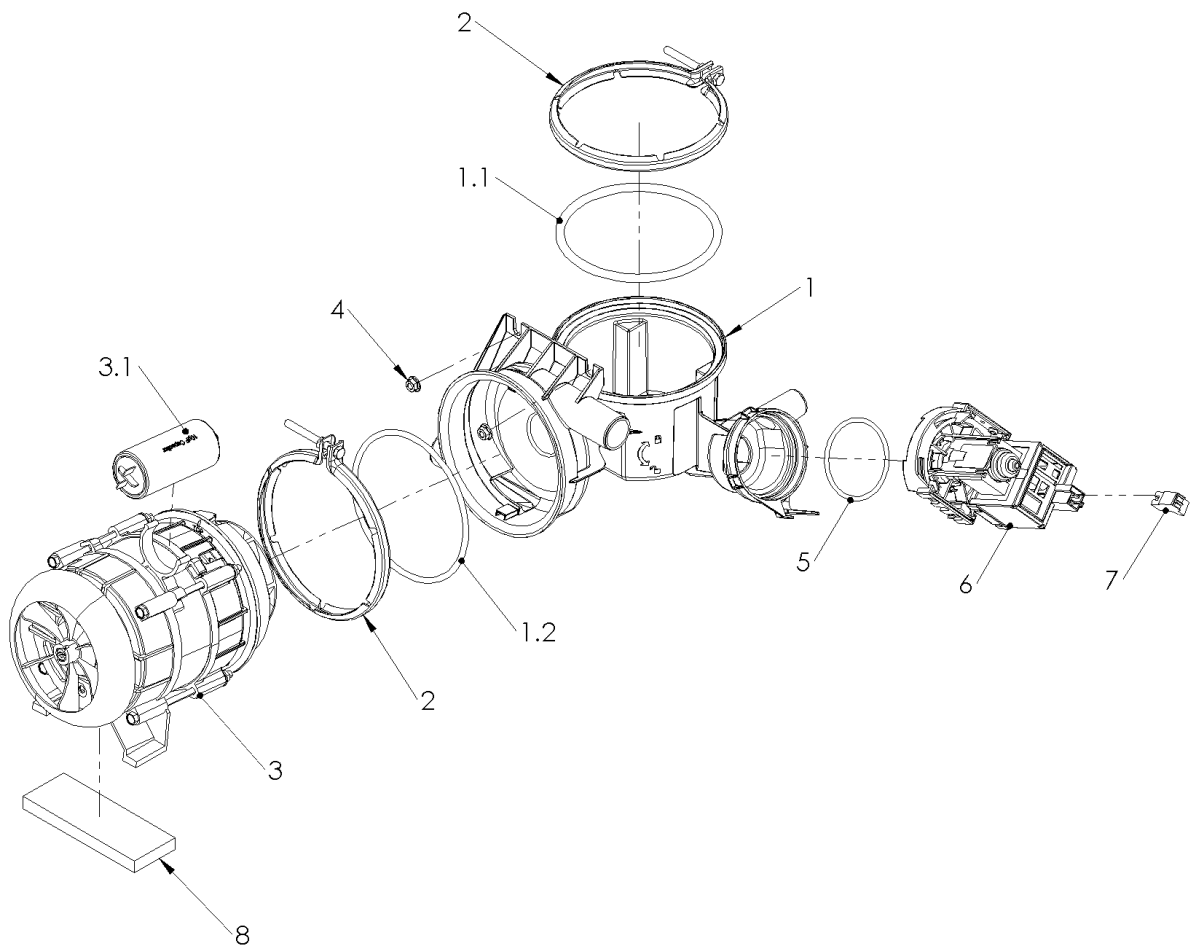


90001716-B

## 9. Wash Rinse & Drain System – BOM

Item	Description	Part number	QTY.	Note
1	Drain Double Nipple	60004609	1	
2	Wire Hose Clip (D24.2 x 2.2)	2802358	4	
3	Spring Clip D32,7 X 2,8	2802362	5	
4	Spring Clip D21,2 X 2,0	2802355	2	
5	J Clip (20-32) W2-12mm with Posi Drive	30018878	3	
6	Drain height sticker		1	Not available as a spare
7	Wash field Spindle	60003169	2	
8	M5 Flange nut (DIN 6923)		2	Available with Fastener Kit
9	Drain Outlet Antisyphon 400mm	30017984	1	
10	Hose - Drain Outlet - 400mm	30017976	1	
11	Hose - Wash Outlet bottom - 400mm	30017965	1	
12	Hose - Wash outlet Top - 400mm	30017964	1	
13	Hose - Rinse Outlet - 400mm	30017963	1	
14	Wash & Rinse Arm - 400	62004402	2	
15	Hook for drain hose	30006231	1	
16	Drain Hose 2M	60003759	1	
17	Rinse pump Assembly 60hz	30018596	1	
17.1	5 $\mu$ F Capacitor	30011583	1	Includes washer & nut
17.1	4 $\mu$ F Capacitor	30011584	2	Includes washer & nut
18	Centre boss Kit	30018804	2	
18.1	O-Ring [56 X 3,0]	30014174	2	
18.2	Locking Nut - Centre Boss	60004870	2	
19	Sump Assembly - 60Hz		1	Further Part breakdown of assembly available in Manual
20	Sales Kit - Drain anti-syphon assembly	30019002	1	
20.1	O-ring - Ø30mmx3mm	30012629	1	
20.2	Drain Air break Ball	2801508	1	

## 10. Minisump Assembly – 60Hz

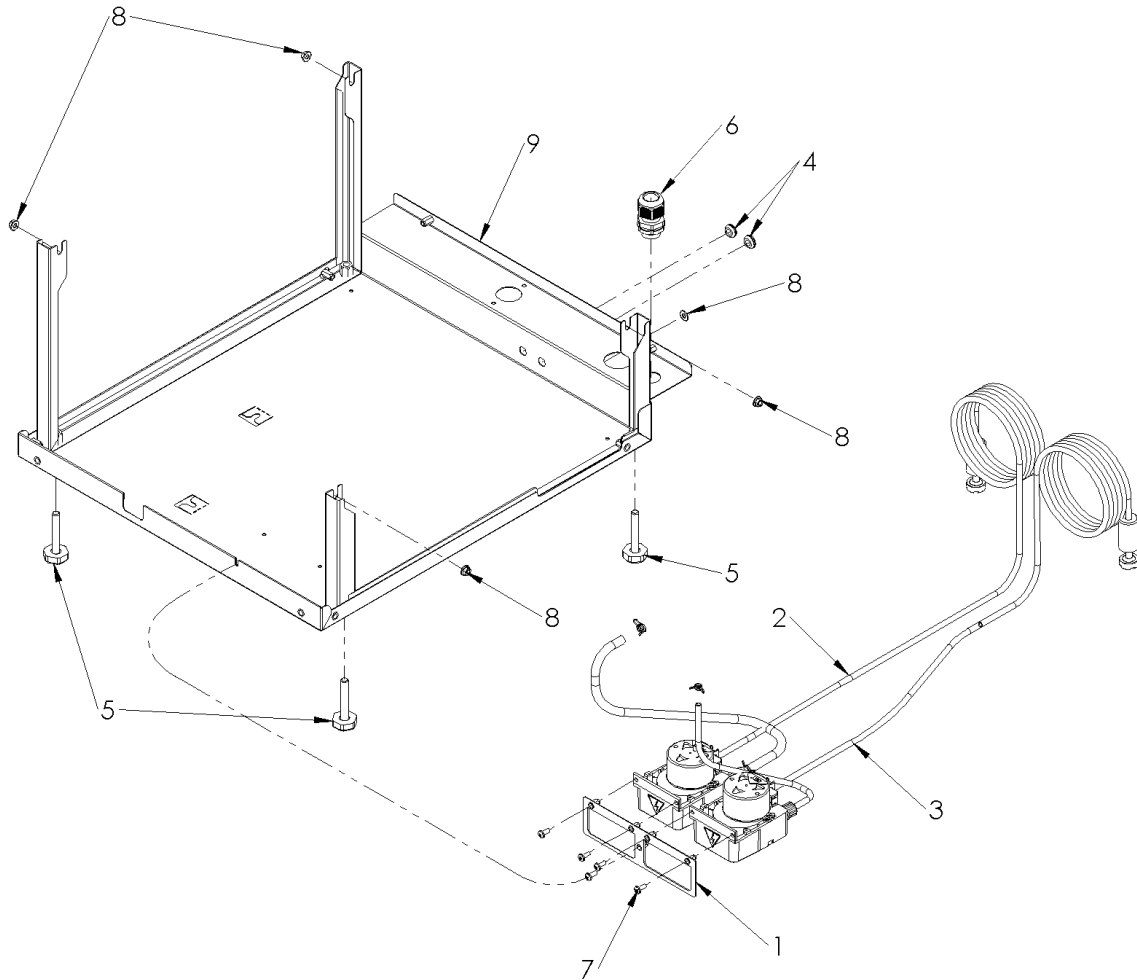


90001792-B

## 10. Minisump Assembly – 60Hz - BOM

Item	Description	Part number	QTY.	Note
1	Sump kit	30018803	1	
1.1	O-ring 104 x6 EPDM60	30018095	1	
1.2	O-ring 105 x4	30018094	1	
2	Sales Kit - V Band	30019022	2	Includes fixings
3	Wash Pump Assembly 60hz	30018136	1	
3.1	10 $\mu$ F Capacitor	30002509	1	Includes washer & nut
3.2	12.5 $\mu$ F Capacitor	30011582	1	Includes washer & nut
4	M5 Flange nut (DIN 6923)	30001186	2	Available with Fastener Kit
5	Drain pump O-RING	30018814	1	
6	Drain Pump - 60Hz	30018600	1	
7	MACRO-MODULE PLUG5, 5-POLE	3112091	1	

## 11. Base assembly



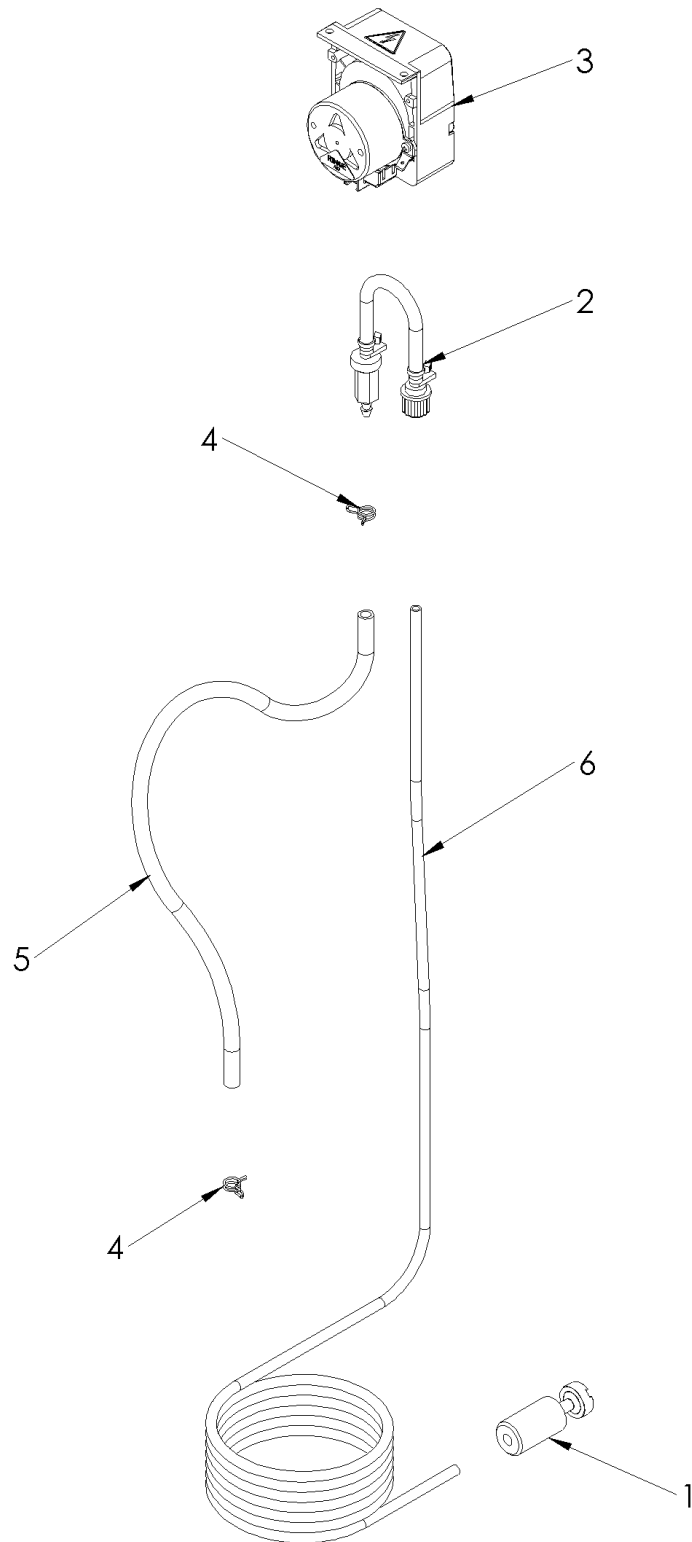
90001654-A



## 11. Base assembly -BOM

Item	Description	Part number	QTY.	Note
1	Chemical Pump Bracket	30018046	1	
2	Rinse Aid Pump Assembly	30018088	1	
3	Detergent Pump Assembly	30018087	1	
4	Chemical tube grommet	30002141	1	
5	Adjustable Foot	62003652	1	
6	M20 Cable gland	30001815	1	
7	M4 x 10mm Posi pan head screw		2	Available with Fastener Kit
8	M5 Flange nut (DIN 6923)		4	Available with Fastener Kit
9	UC 400 base assembly		1	Not available as a spare

## 12. Rinse Aid pump assembly (30018088)

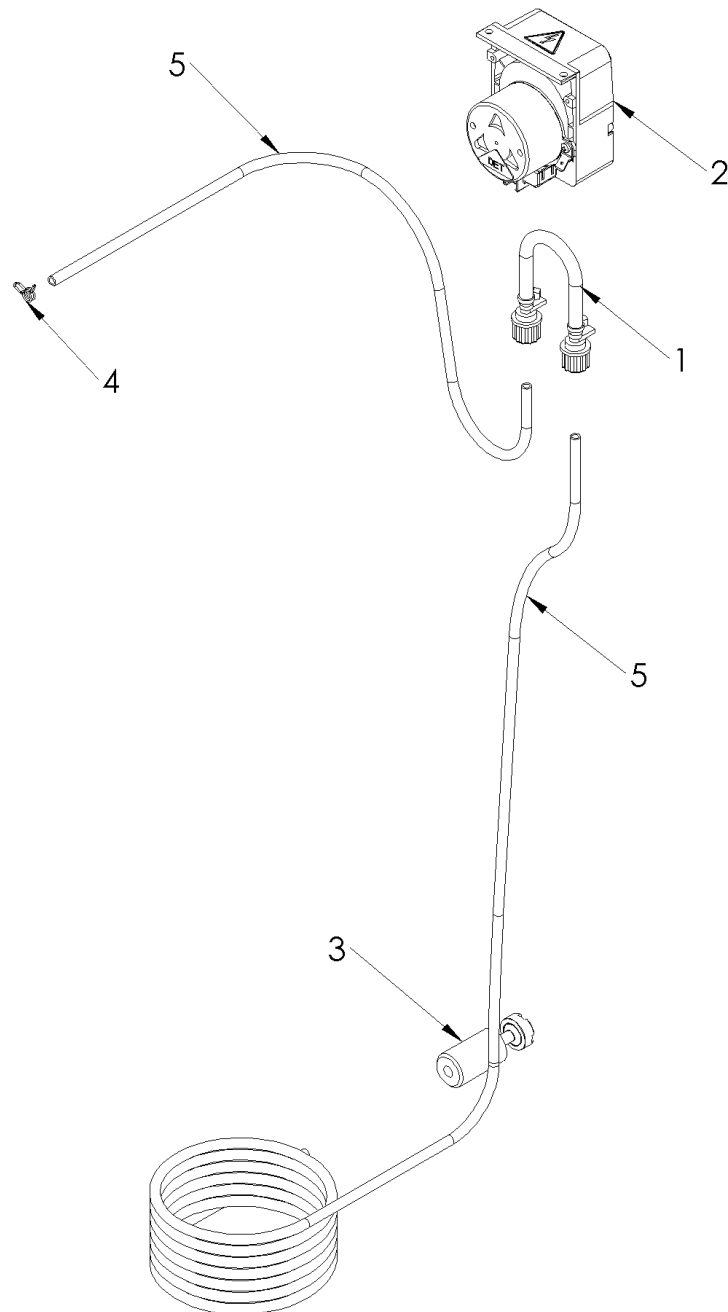


30018088-B

## 12. Rinse Aid pump assembly – BOM

Item	Description	Part number	QTY.	Note
1	Bottle weight kit	30012370	1	
2	Rinse aid peristaltic tube assembly	30012415	1	
3	Rinse Aid Housing		1	
4	Spring clip - Ø8.8mm to Ø9.3mm	30011994	2	
5	Rinse aid outlet tube	30012414	1	
6	Rinse aid inlet tube	30008385	1	

### 13. Detergent pump assembly (30018087)

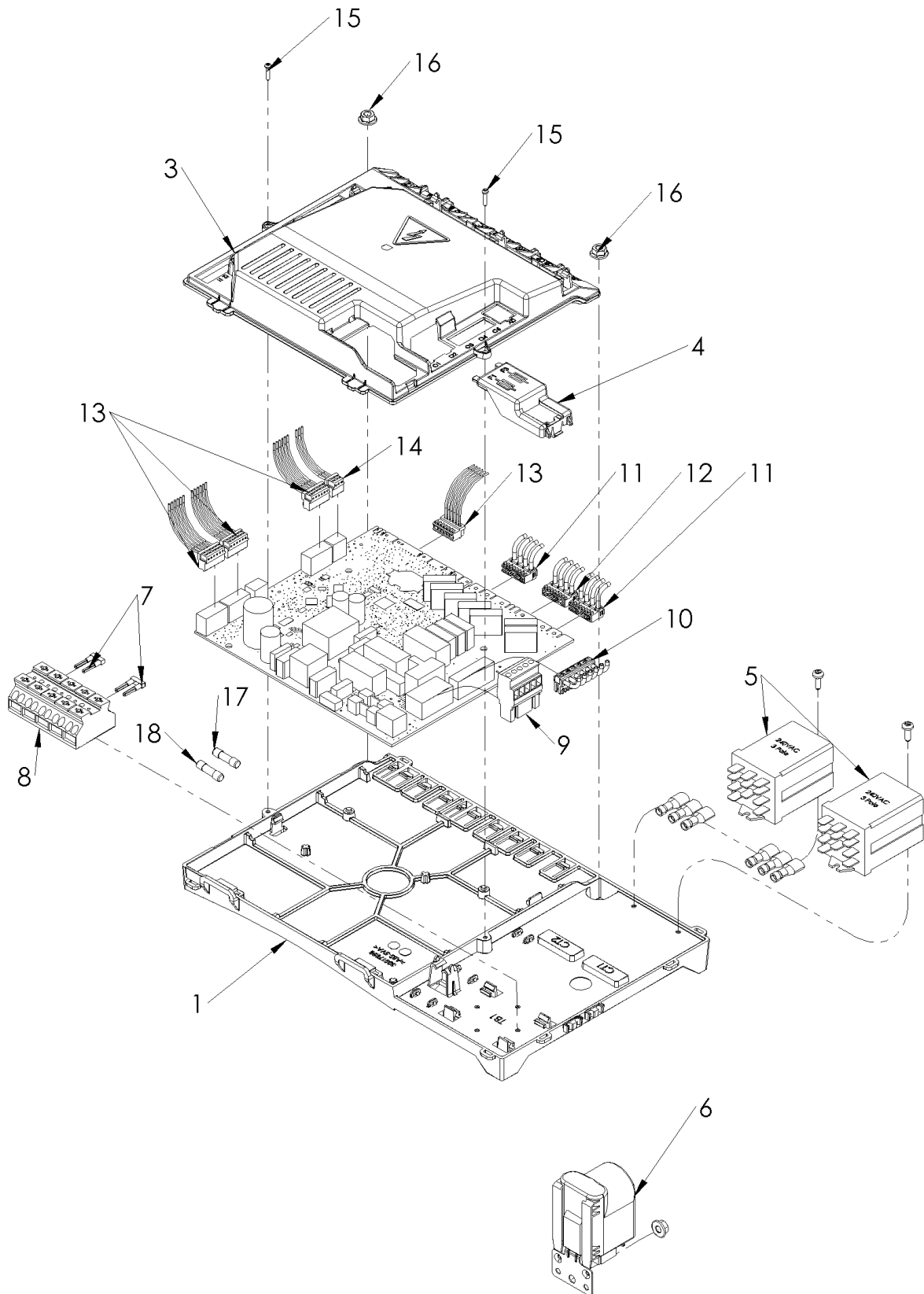


30018087 - B

### 13. Detergent pump assembly - BOM

Item	Description	Part number	QTY.	Note
1	DET Internl tube Asembly	30018812	1	
2	Det Pump Housing		1	
3	Bottle weight kit	30012370	1	
4	Spring clip - Ø6.6mm to Ø7mm	30011995	1	
5	Detergent inlet tube	30008386	1	

## 14. Control Assembly

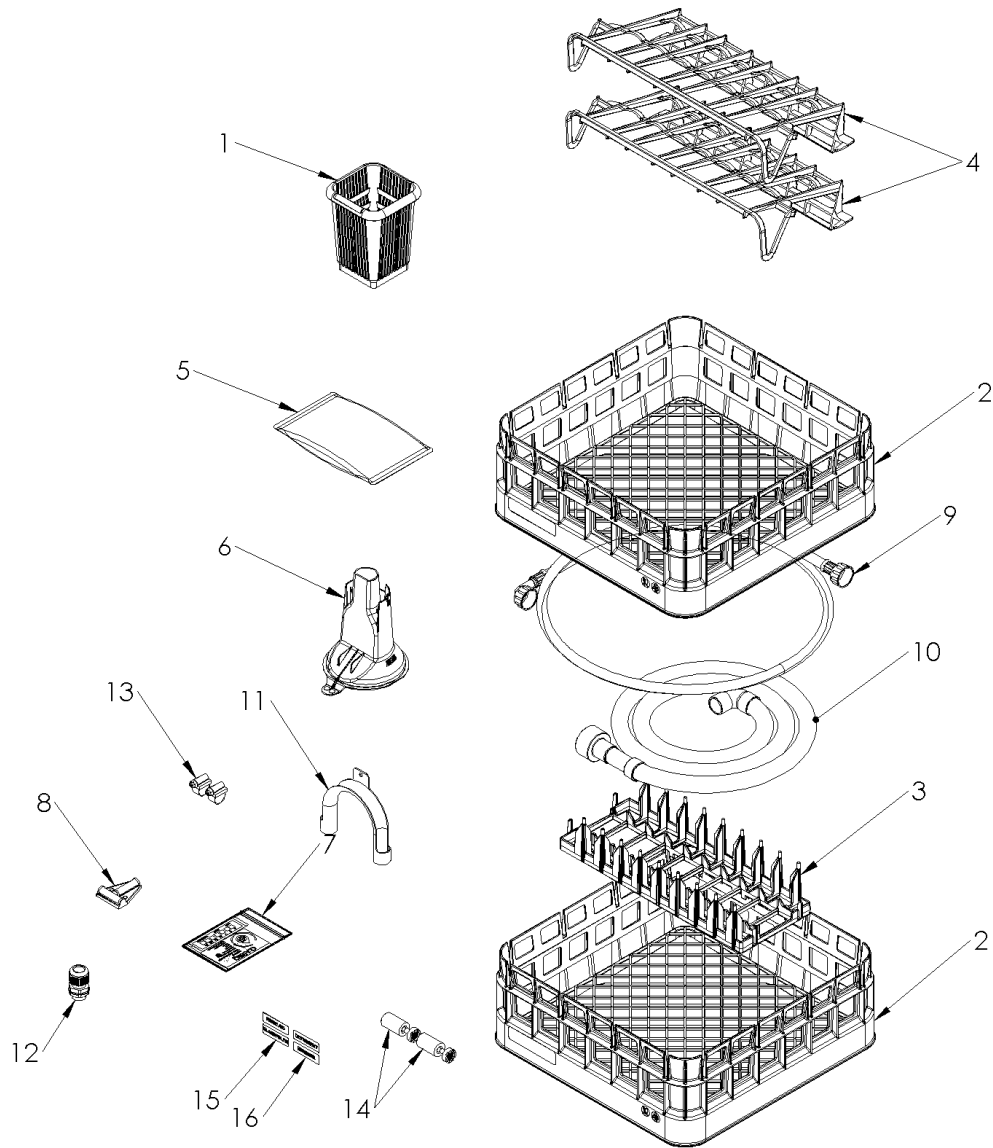


90001722-B

## 14. Control Assembly – BOM

Item	Description	Part number	QTY.	Note
1	PCB Enclosure - Base	30017898	1	
2	PCB Board Spares Latin America	30018819	1	
3	PCB Enclosure - Cover	30017900	1	
4	PCB Enclosure - Fuse Cover	30017899	1	
5	Sales Kit - 3 Pole Relay	30019024	2	Includes fixings
6	Sales Kit - Mains Filter	30019023	1	Includes fixings
7	WAGO 5 pole jumping bar	30008142	2	Refer wiring diagram for quantity
8	Terminal Block - 5 Pole - Grip Type	30001146	1	30A and 3 phase machines
9	Marco Module Plug5, 5Pole	30002002	1	
10	Module Plug (Size 5,0 / 6Pole)	30014140	1	
11	Module Plug (Size 5,0 / 4Pole) Type B	30014138	2	
12	Module Plug (Size 5,0 / 4Pole) Type A	30014137	1	
13	KIT MACRO-MODULE PLUG SIZE 2,5 6-POLE	30002484	4	
14	KIT MACRO-MODULE PLUG SIZE 2,5 3-POLE	30000198	1	
15	2.5x10mm PT screw		2	Available with Fastener Kit
16	M5 Flange nut (DIN 6923)		3	Available with Fastener Kit
17	Fuse 16A	30018654	1	
18	Fuse 2.5A	30018653	1	

## 15. UC Accessories



90001789-A



## 15. UC Accessories

Item	Description	Part number	QTY.	Note
1	CBS Cutlery holder	30001167	1	
2	400mm Plastic basket - cup/glass	30001165	2	
3	Plate Insert PI 400	30007213	1	
4	Glass Insert GR 400	30018552	2	
5	25Kg Salt Granular	2005166	1	
6	UC_Salt Funnel	30017897	1	For Unit with Inbuilt Water softener only
7	Water Testing Kit - Total Hardness	20006948	1	
8	Installation kit- Spirit level	30015135	1	
9	Water supply hose	30001162	1	
10	Drain Hose 2M	60003759	1	
11	Hook for drain hose	30006231	1	
12	M20 Cable gland	30001815	1	
13	J Clip (20-32) W2-12mm with Posi Drive	30018878	2	
14	Bottle weight kit	30012370	2	
15	Rinse Aid Sticker (English/German)		1	Not available as a spare
16	Detergent Sticker (English/German)		1	Not available as a spare
17	350x350 basket adapter frame	30018999	1	For Australia / New Zealand (Not Shown)

## 16. Mains cable

Item	Description	Part number	QTY.	Note
1	13A Mains Cable UK Plug	30012066	1	
2	3 Phase mains cable - 2016	30012067	1	
3	30A 1PH Mains Cable	30012068	1	
4	15A AU Plug Mains Cable	30012274	1	

## 17. Fasteners Kit (30018806)

Item	Description	Part number	QTY.	Note
1	M5 Thin Nylock nut (ISO 10511)		5	Available with Fastener Kit
2	M3 Thin Nylock nut (ISO 10511)		5	Available with Fastener Kit
3	M3x8 Pozi Pan screw A4		5	Available with Fastener Kit
4	M6x20 pozi CSK Screw A4		4	Available with Fastener Kit
5	M6x12 pozi pan screw A4		4	Available with Fastener Kit
6	M4 x 10mm Posi pan head screw		15	Available with Fastener Kit
7	M4 Nylock nut (ISO 7040)		5	Available with Fastener Kit
8	M12 Thin nut		2	Available with Fastener Kit
9	M5 Flange nut (DIN 6923)		25	Available with Fastener Kit
10	M3 Flange nut (DIN 6923)		5	Available with Fastener Kit
11	M5 x 50 hex head screw (ISO 4017)		4	Available with Fastener Kit
12	2.5x10mm PT screw		5	Available with Fastener Kit
13	3.5x10mm posi pan head PT screw		5	Available with Fastener Kit
14	M5 x10mm Posi Head Screw		15	Available with Fastener Kit

## 18. 50hz Variant

Item	Description	Part number	QTY.	Note
1	Wash Pump Assembly 50hz	30018091	1	
2	Rinse Pump Assembly 50hz	30018085	1	
3	Drain Pump 50hz	30018090	1	

Document number: 90001718

Revision: B

Date: 28/03/2024

Language: English