



Spares manual

C6000

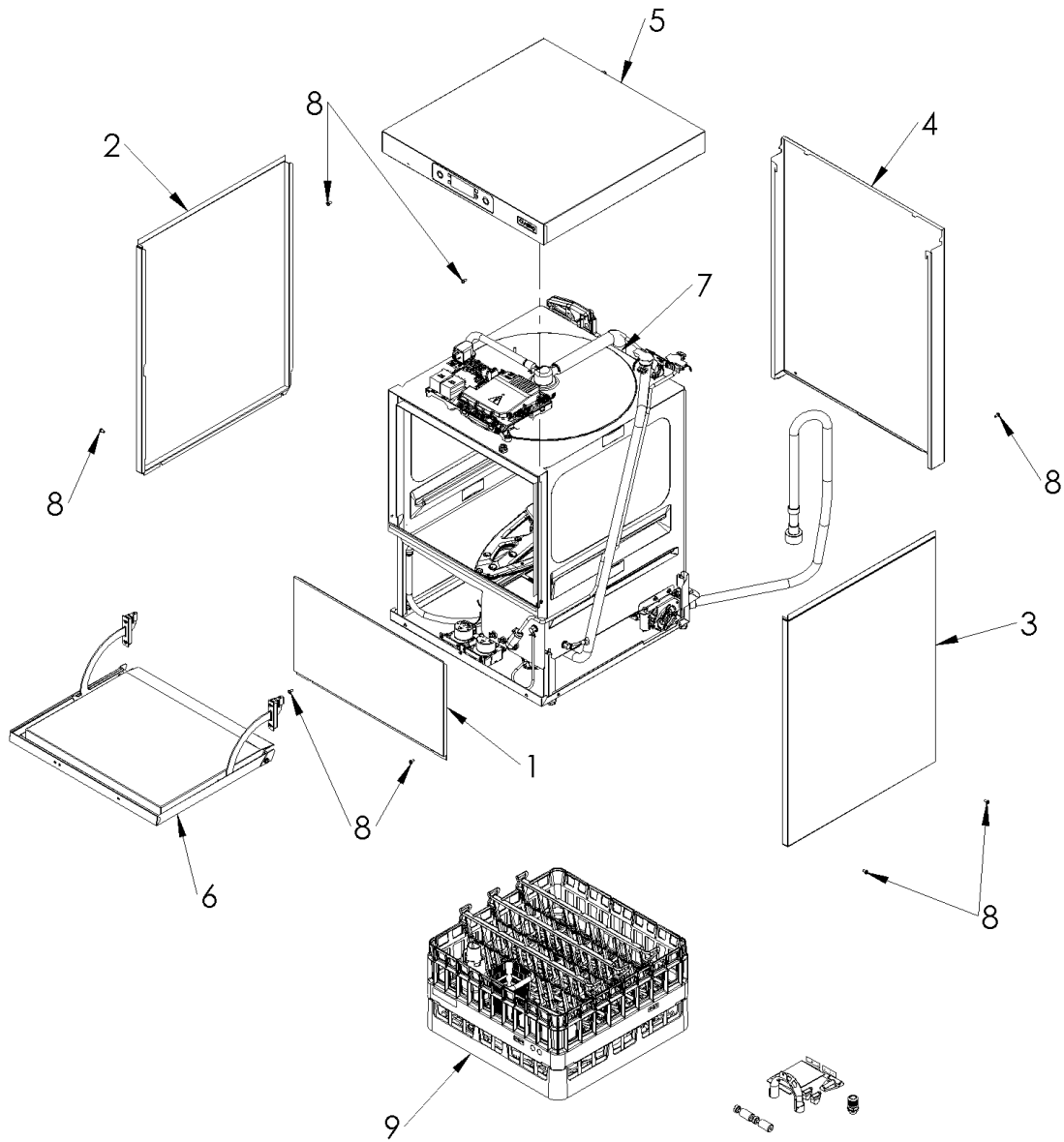
90001720

Revision: A

Table of contents for C6000

C6000	1
1. Machine assembly	4
2. Top panel assembly (30018799)	6
3. Door Parts Assembly	8
4. Frame Assembly	10
5. Cabinet Parts Assembly	12
6. Filtration	14
7. Fill System	16
7. Fill System – BOM	17
8. Boiler Assembly (30018802)	18
9. Wash Rinse & Drain System	20
10. Sump Assembly 60hz	22
11. Base assembly	24
12. Rinse Aid pump assembly (30018088)	26
13. Detergent pump assembly (30018087)	28
14. Control Assembly	30
15. UC Accessories	32
16. Mains cable	34
17. Fastener kit (30018806)	34
18. 50hz Variant	34

1. Machine assembly

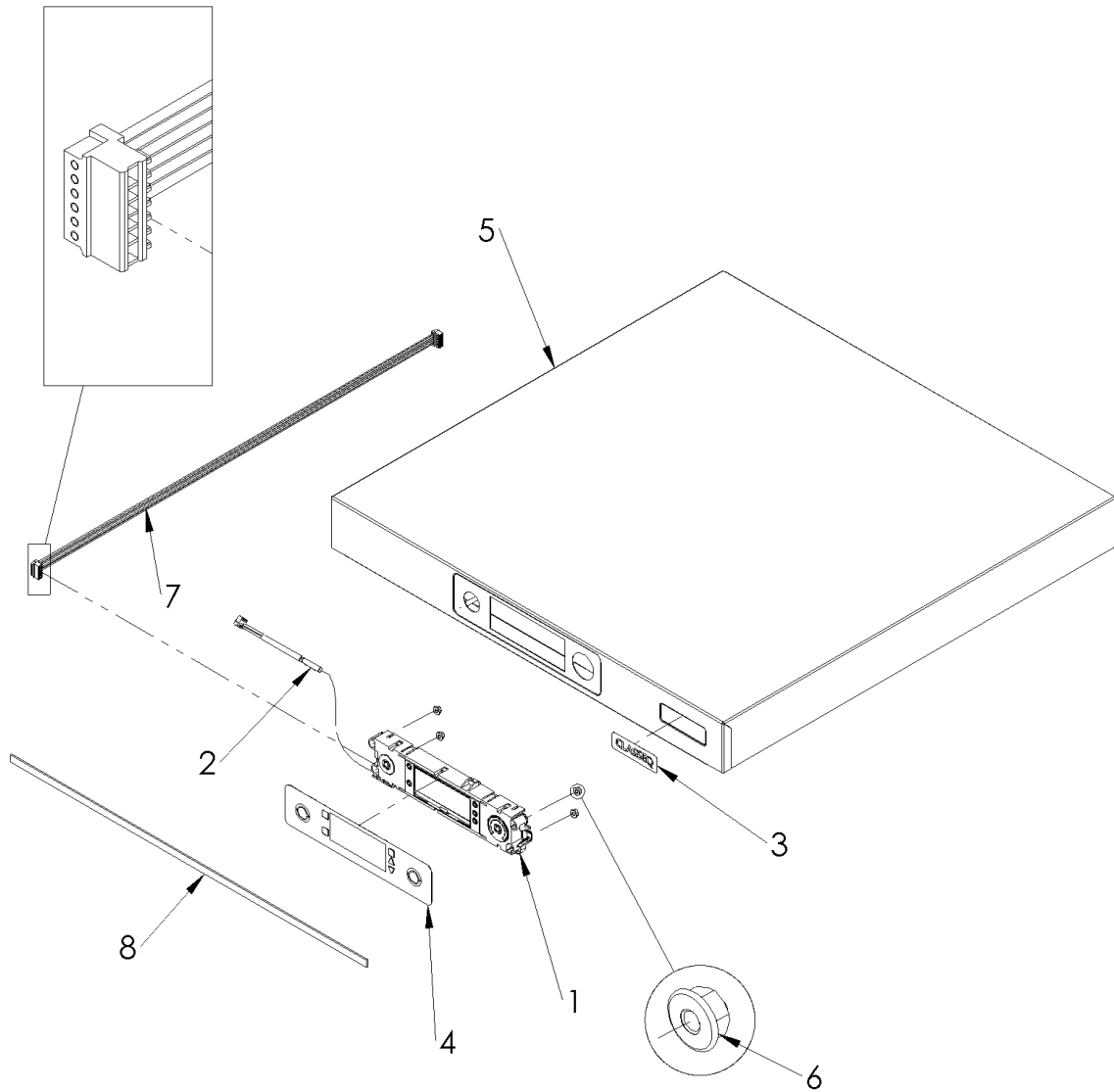


90001643-A

1. Machine assembly - BOM

Item	Description	Part number	QTY.	Note
1	Front Panel 500mm	30018062	1	
2	Side Panel Left 500mm	30018063	1	
3	Side Panel right 500mm	30018064	1	
4	Rear Panel 500mm	30018065	1	
5	500mm Top panel Assembly Spares	30018799	1	
6	Door Parts Assembly 500mm		1	Further Part breakdown of assembly available in Manual
7	Frame Assembly STD		1	Further Part breakdown of assembly available in Manual
8	M5 x10mm Posi Head Screw		10	Available with Fastener Kit
9	UC Accessories - 500		1	

2. Top panel assembly (30018799)

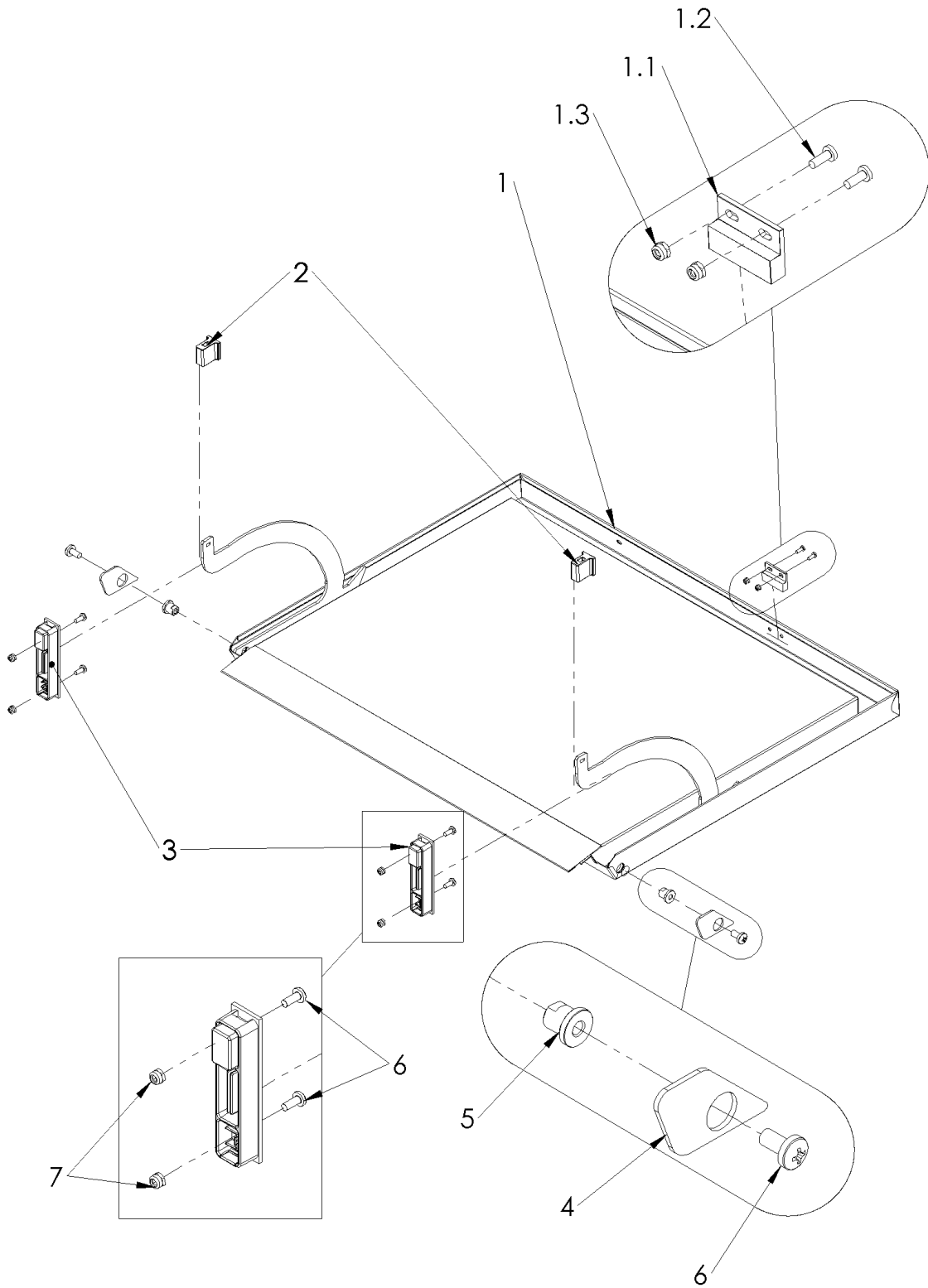


30018799-A

2. Top Panel assembly – BOM

Item	Description	Part number	QTY.	Note
1	Display Unit (Programmed)	30018917	1	
2	Door switch	30018123	1	
3	CLASSEQ badge	30018290	1	
4	Fascia	30018124	1	
5	Top Panel 500mm		1	Not available as a spare
6	M5 Thin Nylock nut (ISO 10511)		4	Available with Fastener Kit
7	UI Harness	30017998	1	
8	Foam seal	30011418	1	

3. Door Parts Assembly

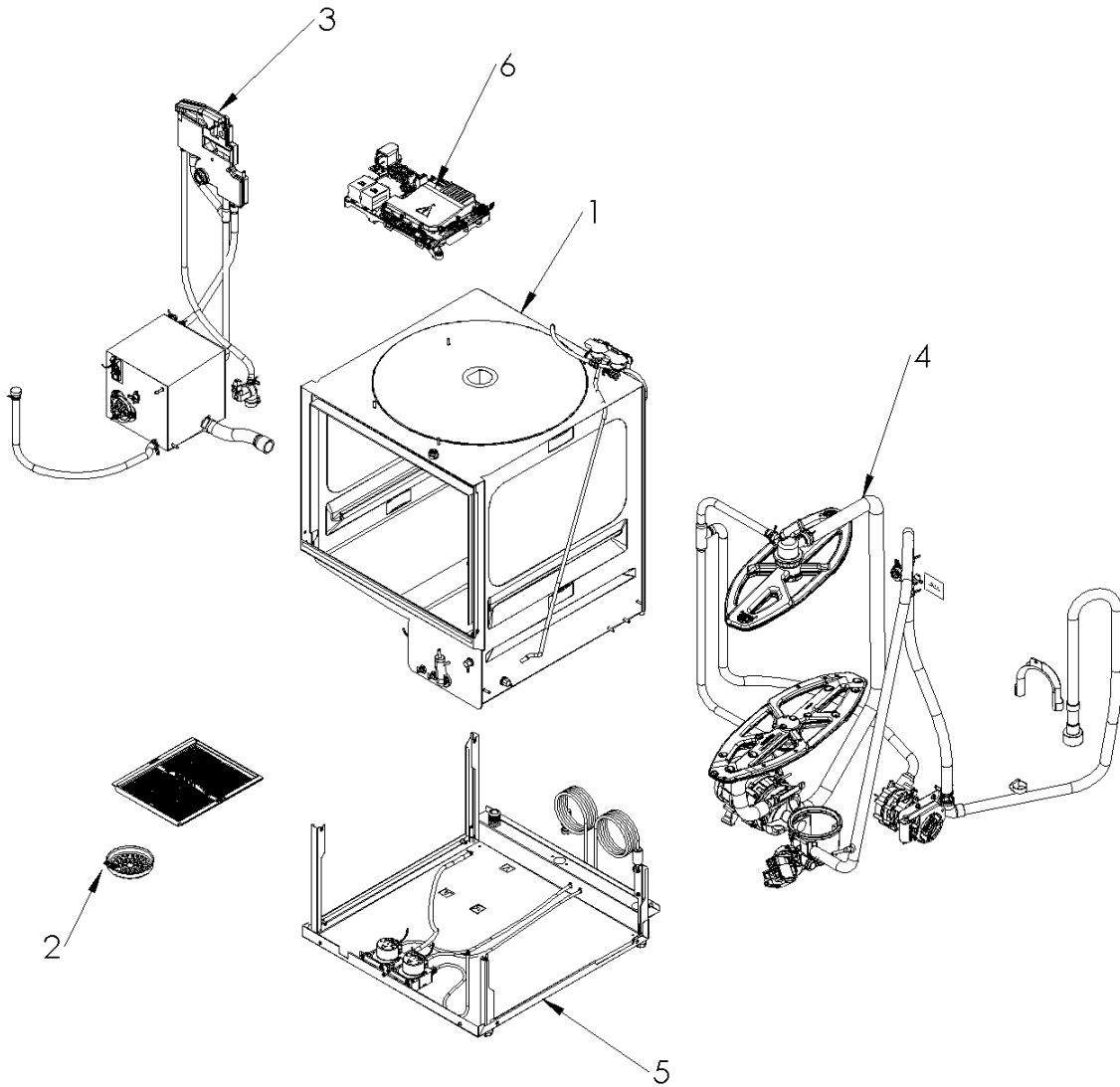


90001610-A

3. Door Parts Assembly – BOM

Item	Description	Part number	QTY.	Note
1	500mm Door Assembly Spares	30018800	1	
1.1	Door magnet	30000981	1	
1.2	M3x8 Pozi Pan screw A4		2	Available with Fastener Kit
1.3	M3 Thin Nylock nut (ISO 10511)		2	Available with Fastener Kit
2	Door Hinge cap	30018098	2	
3	Hinge Assembly Spares	30018801	2	
4	Door corner bracket	30006015	2	
5	Door Pivot	30018060	2	
6	M6x12 pozi pan screw A4		2	Available with Fastener Kit
7	M4 x 10mm Posi pan head screw		4	Available with Fastener Kit
8	M4 Nylock nut (ISO 7040)		4	Available with Fastener Kit

4. Frame Assembly

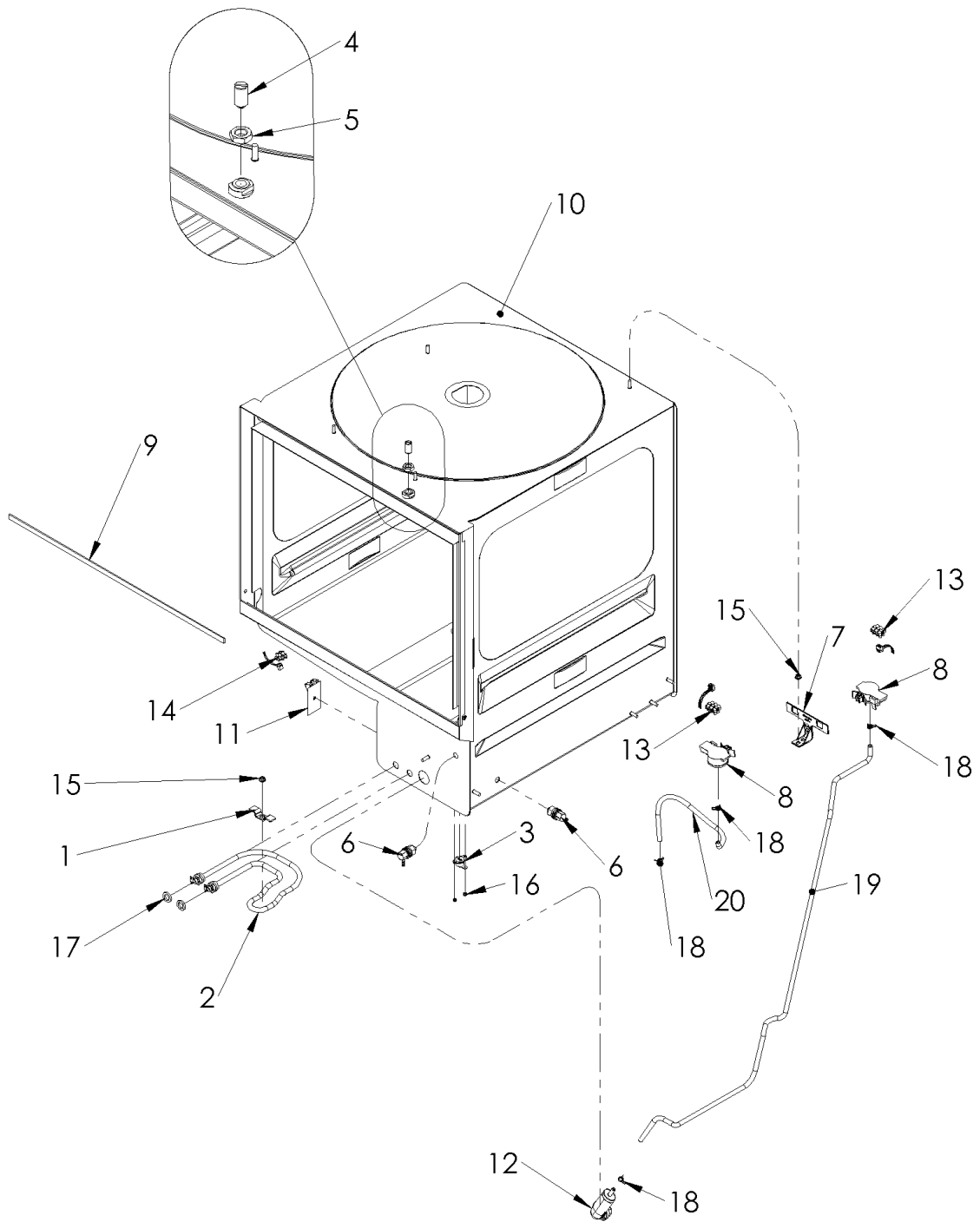


90001644-A

4. Frame Assembly – BOM

Item	Description	Part number	QTY.	Note
1	Cabinet Assembly STD		1	Further Part breakdown of assembly available in Manual
2	Filtration 500mm		1	Further Part breakdown of assembly available in Manual
3	Fill System STD		1	Further Part breakdown of assembly available in Manual
4	Wash Rinse Drain System 500mm		1	Further Part breakdown of assembly available in Manual
5	Base Assembly 500mm		1	Further Part breakdown of assembly available in Manual
6	Control Assembly		1	Further Part breakdown of assembly available in Manual

5. Cabinet Parts Assembly

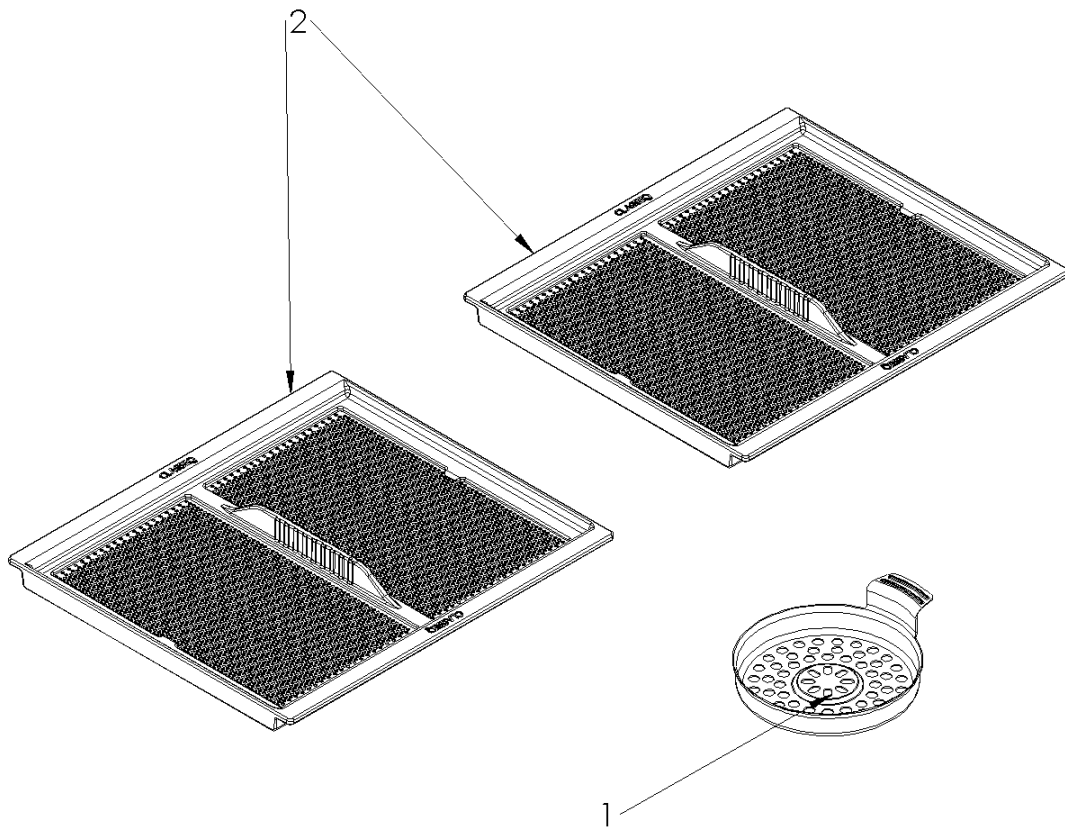


90001647-A

5. Cabinet Parts Assembly – BOM

Item	Description	Part number	QTY.	Note
1	Wash Element Retaining Bracket	30006126	1	
2	Wash Element 2kW	30018105	1	Includes 2x Washers & 2x M12 fine thread thin nut
3	Overheat stat 1 Pole 85°C	30018106	1	
4	Ball catch - M12	30001064	1	
5	M12 Thin nut	30001070	1	
6	Detergent inlet fitting	30011822	2	
7	Air Pressure Sensor - Plastic Mount	60004493	1	
8	Pressure sensor	3126044	2	
9	Foam seal	30011418	1	
10	Cabinet 500mm STD		1	Not available as a spare
11	Kit thermo sensor	30002179	1	
12	Kit air pressure chamber	60003525	1	
13	KIT MACRO-MODULE PLUG SIZE 2,5 3-POLE	30000198	2	
14	KIT MACRO-MODULE PLUG SIZE 2,5 2-POLE	30000197	1	
15	M5 Flange nut (DIN 6923)		2	Available with Fastener Kit
16	M3 Thin Nylock nut (ISO 10511)		2	Available with Fastener Kit
17	Wash element fibre washer 19mmx3mm	30014272	2	For wash element
18	Spring Clip - Ø7.8mm to Ø8.3mm	30001083	4	
19	Wash APS Tube - 400 / 500	30014330	1	
20	Rinse APS Tube - UC	30011883	1	

6. Filtration

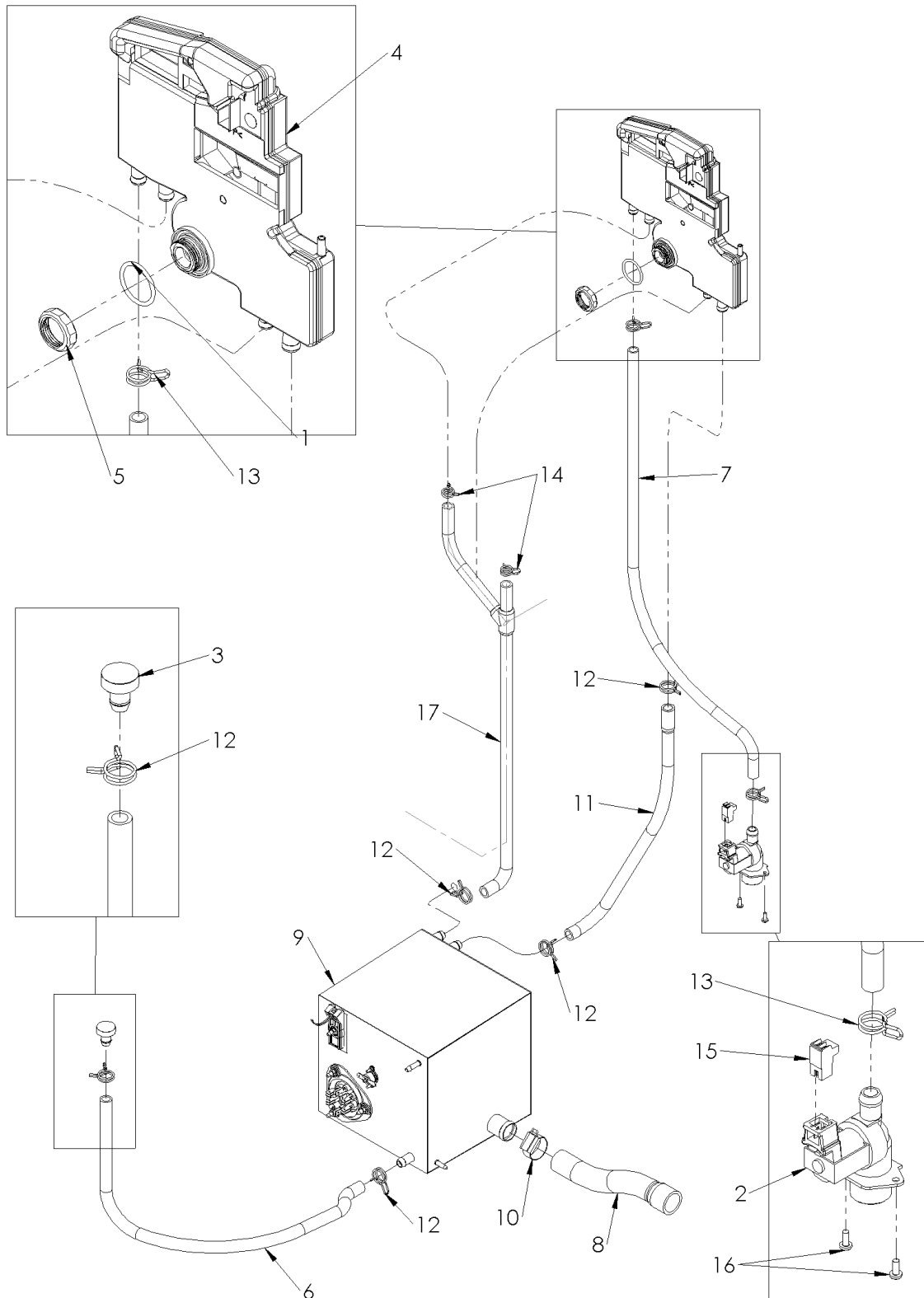


90001616-A

6. Filtration - BOM

Item	Description	Part number	QTY.	Note
1	Secondary Filter Stainless steel	30017864	1	
2	Filter assembly 500mm	30017901	2	

7. Fill System

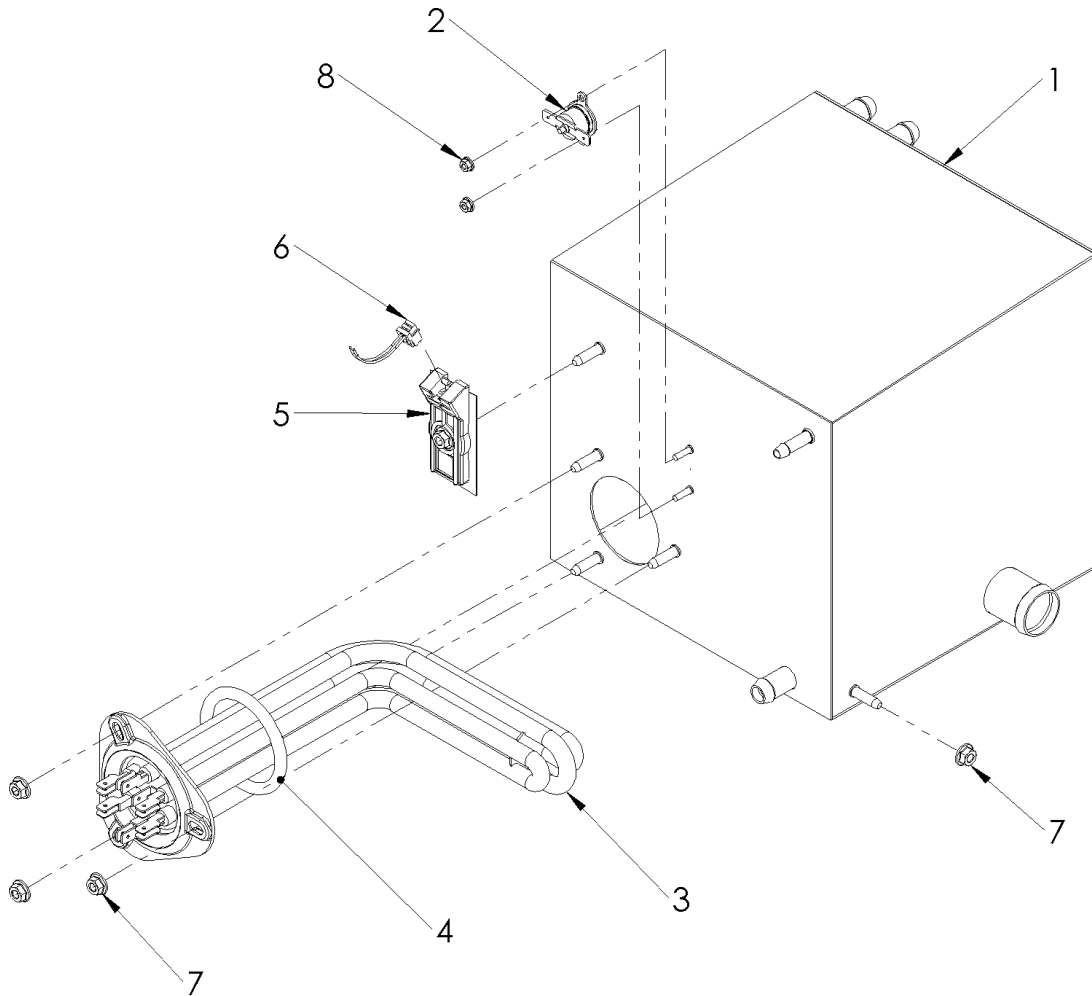


90001645-A

7. Fill System – BOM

Item	Description	Part number	QTY.	Note
1	O-ring - Ø30mmx3mm	30012629	1	
2	Solenoid valve - RAST 5 - 4L/min	3106210	1	
3	Tube plug	70007962	1	
4	Airbreak STD	30017874	1	
5	Nut (Mutter)	60004612	1	
6	Hose - Boiler Drain - 500	30017966	1	
7	Hose - Solenoid to AB - 500	30018101	1	
8	Rinse Inlet Hose 500mm	30017983	1	
9	Boiler Assembly Spares	30018802	1	
10	J Clip (20-32) W2-12mm with Posi Drive	30018878	1	
11	Hose - Breather - 500	30017973	1	
12	Spring clip - Ø17.3mmx1.8	2802353	5	
13	Spring clip - Ø14.8mm X1.8	2802344	2	
14	Spring clip - Ø12.8mm to Ø15mm	30006121	2	
15	MACRO-MODULE PLUG5, 5-POLE	3112091	1	
16	M4 x 10mm Posi pan head screw		2	M3 Thin Nylock nut (ISO 10511)
17	Boiler Fill Hose STD 500mm	30017975	1	

8. Boiler Assembly (30018802)

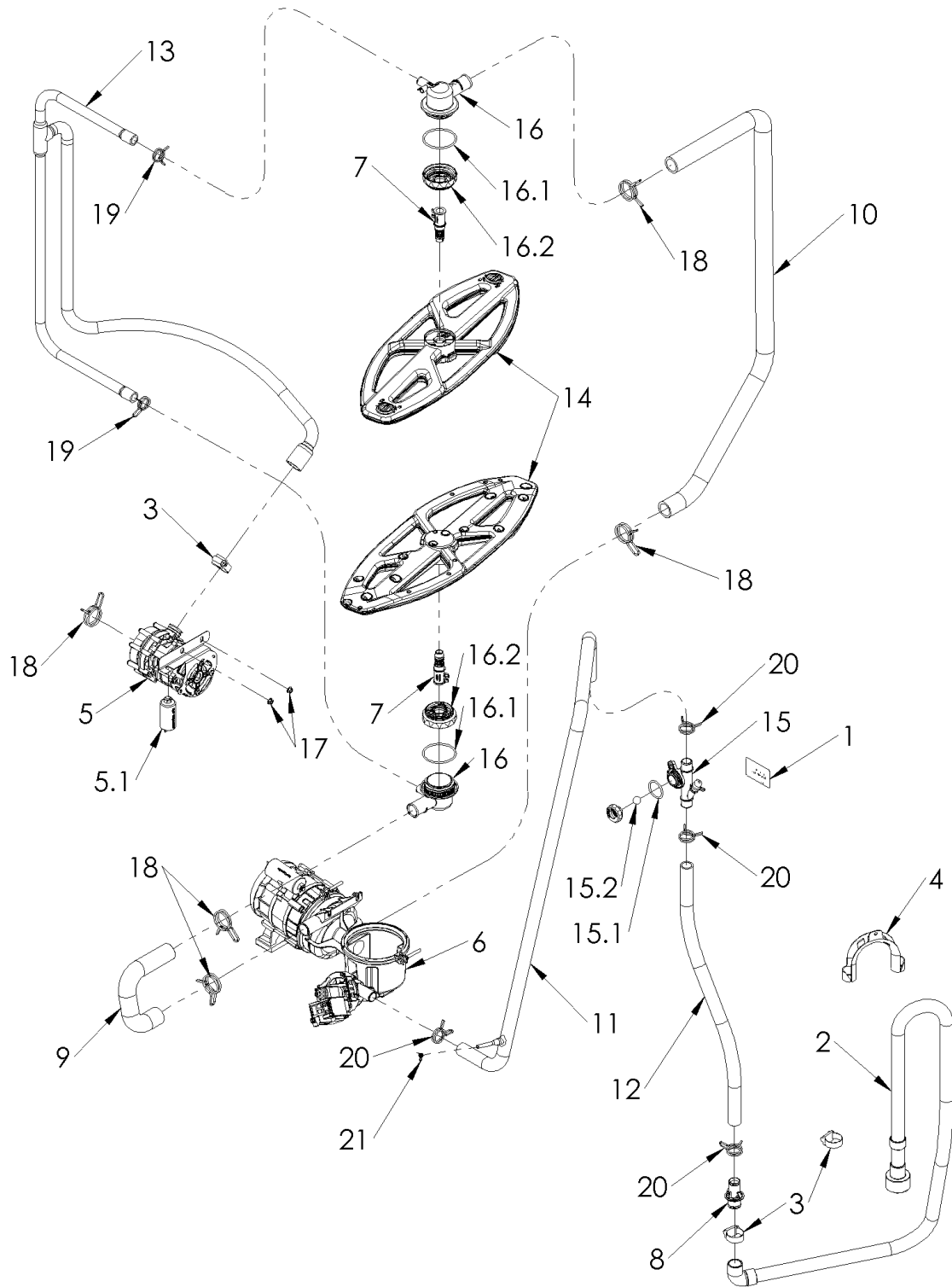


30018802-A

8. Boiler Assembly – BOM

Item	Description	Part number	QTY.	Note
1	Rinse Boiler 6.5L		1	
2	Overheat stat 1 Pole 95°C	30018117	1	
3	Rinse Element 6kW	30018118	1	
4	O-Ring - Ø46 x Ø6	30000947	1	
5	Kit thermo sensor	30002179	1	
6	KIT MACRO-MODULE PLUG SIZE 2,5 2-POLE	30000197	1	
7	M5 Flange nut (DIN 6923)		4	Available with Fastener Kit
8	M3 Flange nut (DIN 6923)		2	Available with Fastener Kit

9. Wash Rinse & Drain System

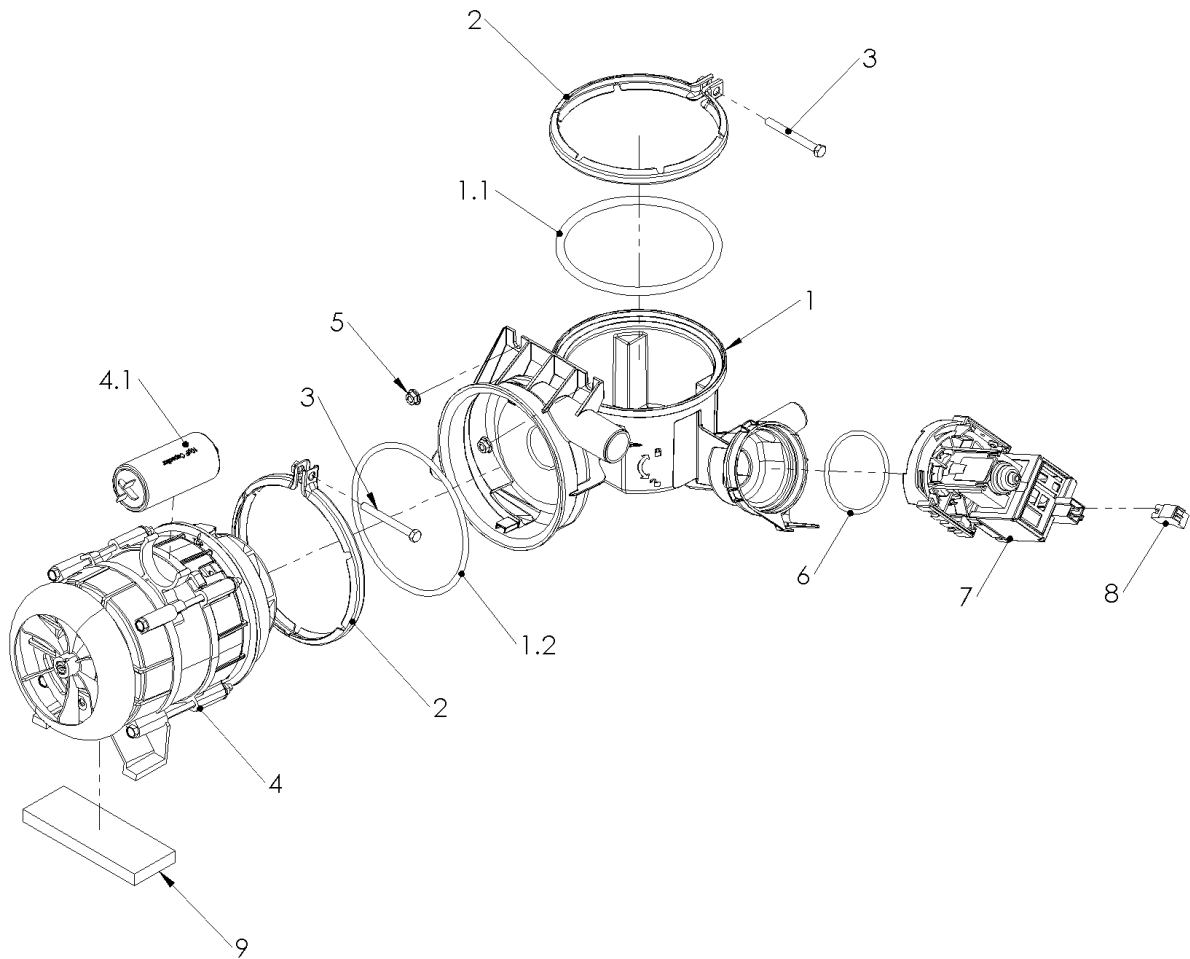


90001717-A

9. Wash Rinse & Drain System – BOM

Item	Description	Part number	QTY.	Note
1	Drain height sticker	30012368	1	
2	Drain Hose 2M	60003759	1	
3	J Clip (20-32) W2-12mm with Posi Drive	30018878	3	
4	Hook for drain hose	30006231	1	
5	Rinse pump Assembly 60hz	30018596	1	
5.1a	5µF Capacitor	30011583	2	Includes washer & nut
5.1b	4µF Capacitor	30011584	3	Includes washer & nut
6	Sump Assembly - 60Hz	90001792	1	Further Part breakdown of assembly available in Manual
7	Wash field Spindle	60003169	2	
8	Drain Double Nipple	60004609	1	
9	Wash Outlet Hose Bottom 500mm	30017991	1	
10	Wash outlet Hose top 500mm	30017990	1	
11	Drain Outlet Hose 500mm	30017980	1	
12	Drain Outlet Antisyphon 500mm	30017985	1	
13	Rinse Outlet Hose 500mm	30017989	1	
14	Wash & Rinse Arm - 500	61007407	2	
15	Kit drain air break	30013404	1	After serial number XXXXX-1839
15.1	O-ring - Ø30mmx3mm	30012629	1	
15.2	Drain Air break Ball	2801508	1	
16	Centre boss Kit	30018804	2	
16.1	O-Ring [56 X 3,0]	30014174	2	
16.2	Locking Nut - Centre Boss	60004870	2	
17	M5 Flange nut (DIN 6923)		2	Available with Fastener Kit
18	Spring Clip D32,7 X 2,8	2802362	4	
19	Spring Clip D21,2 X 2,0	2802355	2	
20	Wire Hose Clip (D24.2 x 2.2)	2802358	4	
21	Spring clip - Ø6.6mm to Ø7mm	30011995	1	

10. Sump Assembly 60hz



90001792-A

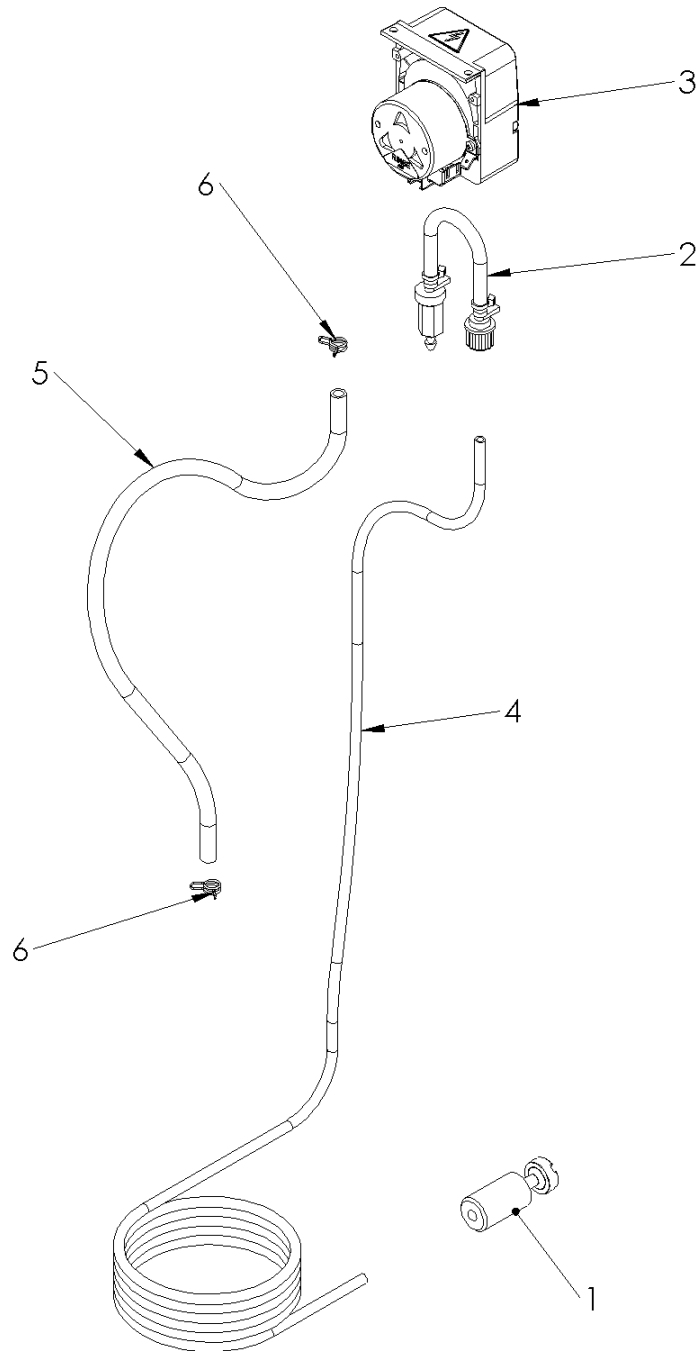
10. Sump Assembly 60hz – BOM

Item	Description	Part number	QTY.	Note
1	Sump kit	30018803	1	
1.1	O-ring 104 x6 EPDM60	30018095	1	
1.2	O-ring 105 x4	30018094	1	
2	V band clamp	30017866	2	
3	M5 x 50 hex head screw (ISO 4017)		2	Available with Fastener Kit
4	Wash Pump Assembly 60hz	30018136	1	
4.1a	10µF Capacitor	30002509	1	On Hanning Wash Pump only
4.1b	12.5µF Capacitor	30011582	1	Includes washer & nut
5	M5 Flange nut (DIN 6923)		2	Available with Fastener Kit
6	Drain pump O-RING	30018814	1	
7	Drain Pump 60hz	30018578	1	
8	MACRO-MODULE PLUG5, 5-POLE	3112091	1	
9	Foam Pad - Wash Pump	30018911	1	

11. Base assembly -BOM

Item	Description	Part number	QTY.	Note
1	Chemical tube grommet	30002141	2	
2	Adjustable Foot	62003652	4	
3	M20 Cable gland	30001815	1	
4	Chemical Pump Bracket	30018046	1	
5	Detergent Pump Assembly	30018087	1	Not shown
6	Rinse Aid Pump Assembly	30018088	1	Not shown
7	M4 x 10mm Posi pan head screw		5	Available with Fastener Kit
8	M4 Flange nut (DIN 6923)		5	Available with Fastener Kit
9	KIT MACRO-MODULE PLUG SIZE 2,5 2-POLE	30000197	2	
10	Base Assembly - 500		1	Not available as a spare

12. Rinse Aid pump assembly (30018088)

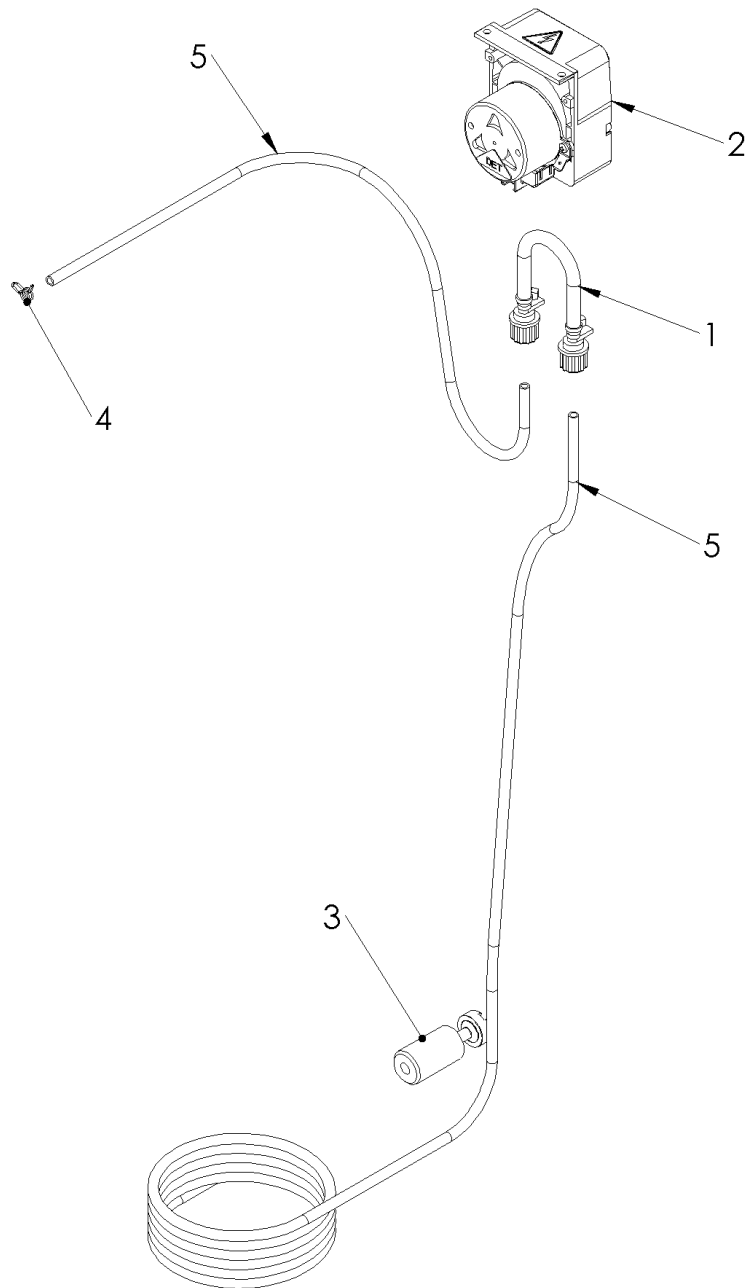


30018088-A

12. Rinse Aid pump assembly – BOM

Item	Description	Part number	QTY.	Note
1	Bottle weight kit	30012370	1	
2	Rinse Aid internal tube assembly	30018809	1	
3	Rinse Aid Housing		1	
4	Rinse Aid tube 4m	30018810	1	
5	Rinse Aid Outlet 1M	30018811	1	
6	Spring clip - Ø8.8mm to Ø9.3mm	30011994	2	

13. Detergent pump assembly (30018087)

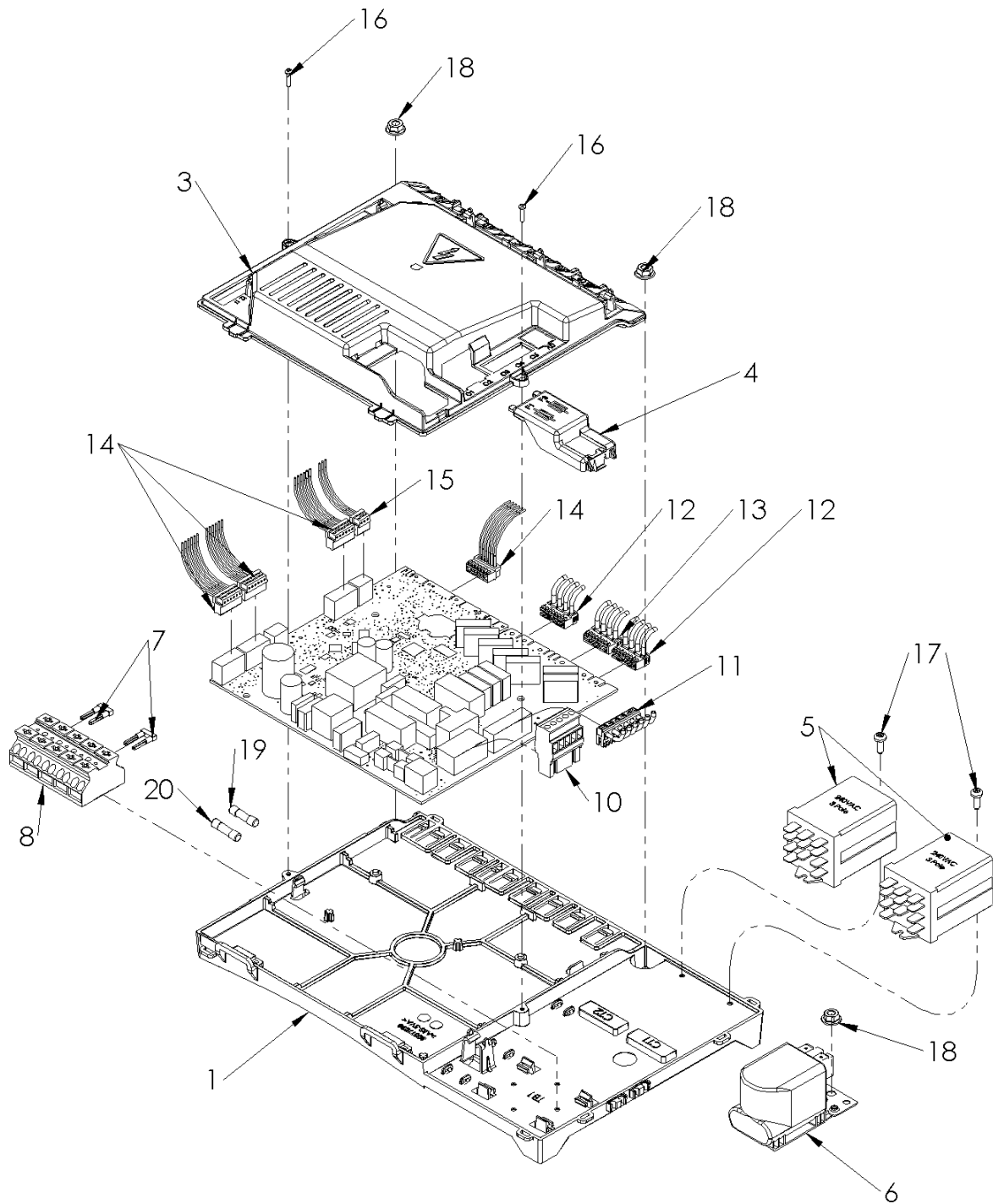


30018087-A

13. Detergent pump assembly - BOM

Item	Description	Part number	QTY.	Note
1	DET Internl tube Asembly	30018812	1	
2	Det Pump Housing		1	
3	Bottle weight kit	30012370	1	
4	Spring clip - Ø6.6mm to Ø7mm	30011995	1	
5	Detergent tube 4M	30018813	1	

14. Control Assembly

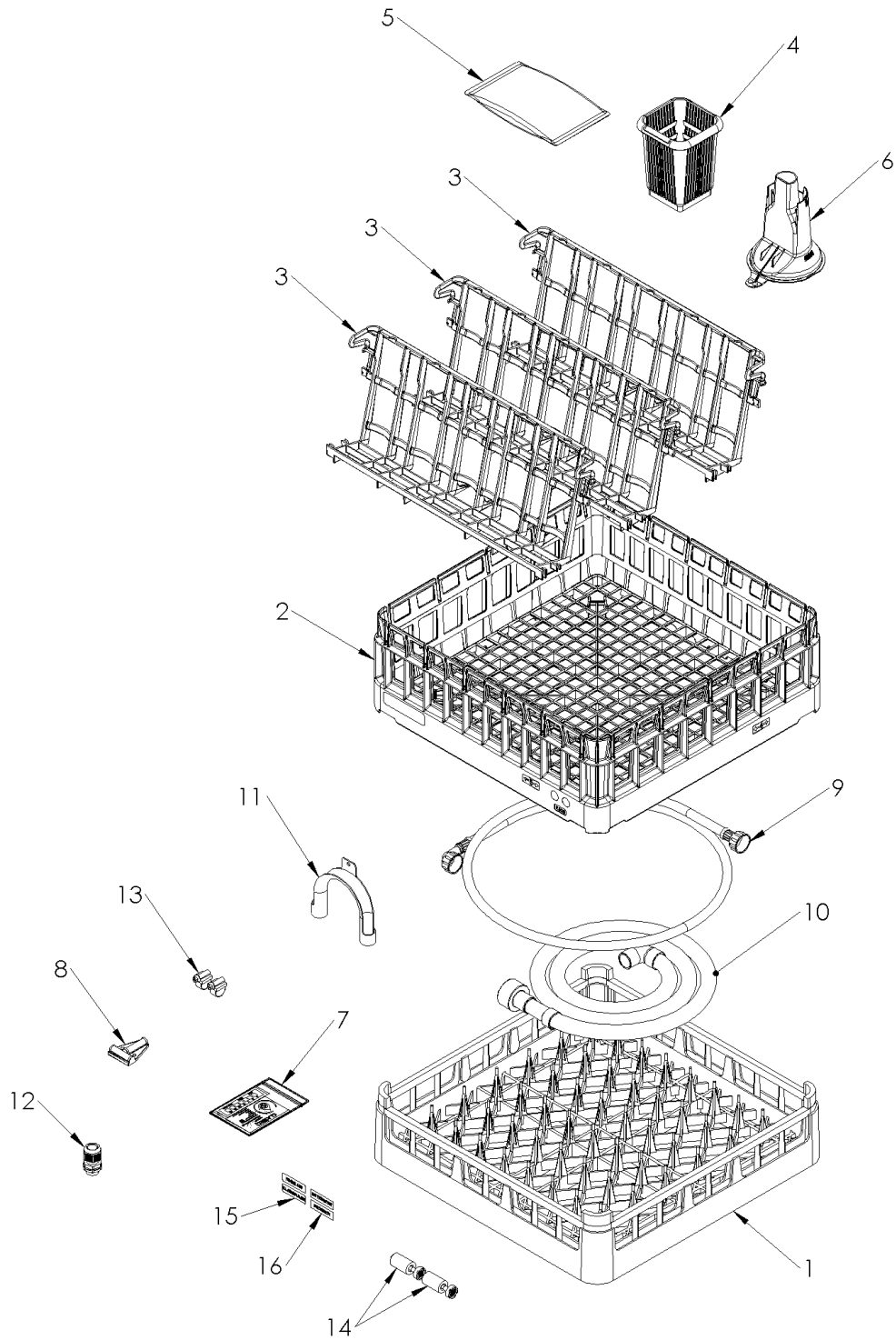


90001722-A

14. Control Assembly – BOM

Item	Description	Part number	QTY.	Note
1	PCB Enclosure - Base	30017898	1	
2	PCB Board Spares Latin America	30018819	1	
3	PCB Enclosure - Cover	30017900	1	
4	PCB Enclosure - Fuse Cover	30017899	1	
5	3 Pole Change Over relay	30000984	2	
6	Mains Filter	30018097	1	
7	WAGO 5 pole jumping bar	30008142	2	Refer wiring diagram for quantity
8	Terminal Block - 5 Pole - Grip Type	30001146	1	30A and 3 phase machines
9	Rating plate		5	
10	Marco Module Plug5, 5Pole	30002002	1	
11	Module Plug (Size 5,0 / 6Pole)	30014140	1	
12	Module Plug (Size 5,0 / 4Pole) Type B	30014138	2	
13	Module Plug (Size 5,0 / 4Pole) Type A	30014137	1	
14	KIT MACRO-MODULE PLUG SIZE 2,5 6-POLE	30002484	4	
15	KIT MACRO-MODULE PLUG SIZE 2,5 3-POLE	30000198	1	
16	2.5x10mm PT screw		2	Available with Fastener Kit
17	3.5x10mm posi pan head PT screw		2	Available with Fastener Kit
18	M5 Flange nut (DIN 6923)		3	Available with Fastener Kit
19	Fuse 16A	30018654	1	
20	Fuse 2.5A	30018653	1	

15. UC Accessories



90001788-A

15. UC Accessories - BOM

Item	Description	Part number	QTY.	Note
1	500mm ² dish basket	30001198	1	
2	Tall Glass Basket - 500	30013206	1	
3	Glasrelax insert GR 500	30018551	3	
4	CBS Cutlery holder	30001167	1	
5	25Kg Salt Granular	2005166	1	For Unit with Inbuilt Water softener only
6	UC_Salt Funnel	30017897	1	For Unit with Inbuilt Water softener only
7	Water Testing Kit - Total Hardness	20006948	1	
8	Installation kit- Spirit level	30015135	1	
9	Water supply hose	30001162	1	
10	Drain Hose 2M	60003759	1	
11	Hook for drain hose	30006231	1	
12	M20 Cable gland	30001815	1	
13	J Clip (20-32) W2-12mm with Posi Drive	30018878	2	
14	Bottle weight kit	30012370	2	
15	RINSE AID STICKER (English/German)		1	Not available as a spare
16	DETERGENT STICKER (English/German)		1	Not available as a spare

16. Mains cable

Item	Description	Part number	QTY.	Note
1	13A Mains Cable UK Plug	30012066	1	
2	3 Phase mains cable - 2016	30012067	1	
3	30A 1PH Mains Cable	30012068	1	
4	15A AU Plug Mains Cable	30012274	1	
5	16A EU Plug Mains Cable	30012266	1	
6	15A Mains Cable without AU Plug	30012265	1	
7	13A Mains Cable without UK Plug	30012065	1	

17. Fastener kit (30018806)

Item	Description	Part number	QTY.	Note
1	M5 Thin Nylock nut (ISO 10511)		5	Available with Fastener Kit
2	M3 Thin Nylock nut (ISO 10511)		5	Available with Fastener Kit
3	M3x8 Pozi Pan screw A4		5	Available with Fastener Kit
4	M6x20 pozi CSK Screw A4		4	Available with Fastener Kit
5	M6x12 pozi pan screw A4		4	Available with Fastener Kit
6	M4 x 10mm Posi pan head screw		15	Available with Fastener Kit
7	M4 Nylock nut (ISO 7040)		5	Available with Fastener Kit
8	M12 Thin nut		2	Available with Fastener Kit
9	M5 Flange nut (DIN 6923)		25	Available with Fastener Kit
10	M3 Flange nut (DIN 6923)		5	Available with Fastener Kit
11	M5 x 50 hex head screw (ISO 4017)		4	Available with Fastener Kit
12	2.5x10mm PT screw		5	Available with Fastener Kit
13	3.5x10mm posi pan head PT screw		5	Available with Fastener Kit
14	M5 x10mm Posi Head Screw		15	Available with Fastener Kit

18. 50hz Variant

Item	Description	Part number	QTY.	Note
1	Wash Pump Assembly 50hz	30018091	1	
2	Rinse Pump Assembly 50hz	30018085	1	
3	Drain Pump 50hz	30018090	1	

Document number: 90001720
Revision: A
Date: 14/12/2023
Language: English

